

Installing Stainless Steel Wall Bracket *Square*

Overview¹

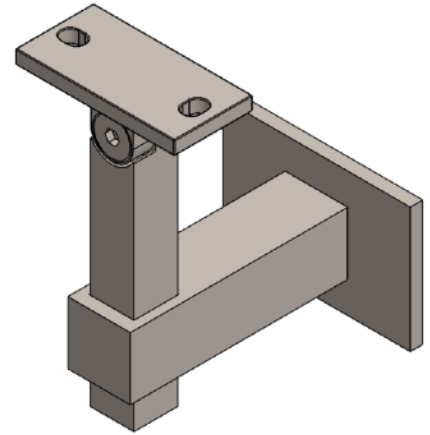
These are instructions for proper installation of a Stainless Steel Wall Bracket Square, HBWA.008, into sheetrock, wood, or drywall surfaces

This bracket comes with a saddle for both flat and round tubing and a wall bracket screw/hanger bolt

Brackets should be installed with a maximum distance of 5'

Caution:

Wear protective ANSI approved safety glasses, working gloves and breathing mask at all times

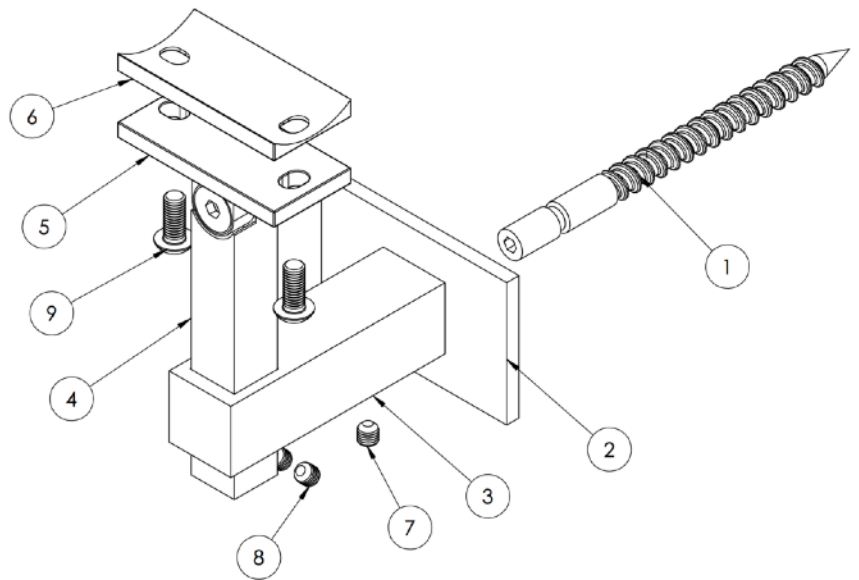


Tools Required

- 1) Stud-finder
- 2) Handheld Drill
- 3) 3/16"-1/4" Drill Bit
- 4) 2.5mm, 3.5mm, 5mm Hex Wrench
- 5) M5 Drill and Tap Bit

Bracket Components:

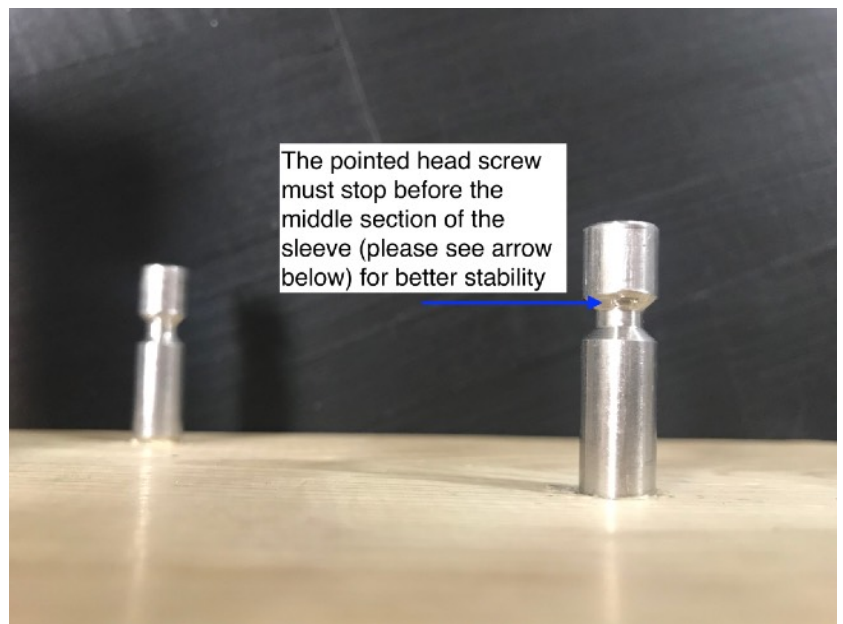
1. Hanger Screw
2. Wall Flange Plate
3. Horizontal Column
4. Vertical Column
5. Saddle
6. Round Tube Adaptor
7. M5 Socket Screws
8. 2 x M5 Socket Screws
9. 2 x M5 Bolts



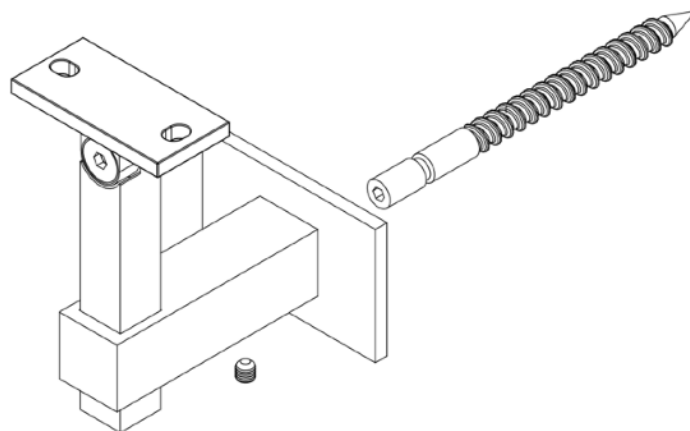
¹ This document includes hyperlinks and is intended to be viewed as a PDF file rather than print material

Instructions

- 1) Using a stud finder, locate a stud and the vertical point from the nose of your stair (typically 31" vertically depending on your stair angle) and pre drill a hole in the stud using 3/16" drill bit.
- 2) Drive the hanger screw (#1) into the hole and secure the lag end of the stud using a 5mm allen wrench. Make sure to leave the lag screw groove 1-1/8"



- 3) Assemble part #2, #3, and #4 together, then insert the whole assembly into the sleeve. Position the bracket to the desired angle orientation and tighten the hex screw with the 2.5mm wrench.



- 4) Drill and tap holes into Inline Design steel tubes, [refer to these instructions to install Inline Design square or round tubing and additional hardware](#)

Note: If using a round handrail, position the round saddle adapter (part #6) on top of the flat saddle before attaching handrails.

Note: If affixing to a wooden handrail, customers will need to purchase lag screw to replace M5 bolts.

- 5) Tighten the M6 bolt with hex wrench to secure the adjustable saddle

NOTE: A small amount of surface corrosion is not uncommon after some exposure to weather or salty conditions; we recommend using our [passivation solution](#) or a stainless steel polish to prevent surface corrosion; more information available [on our Engineering Specs Page](#)