

Installing Stainless Steel Spigot Square Pyramid Glass Clamp

Overview¹

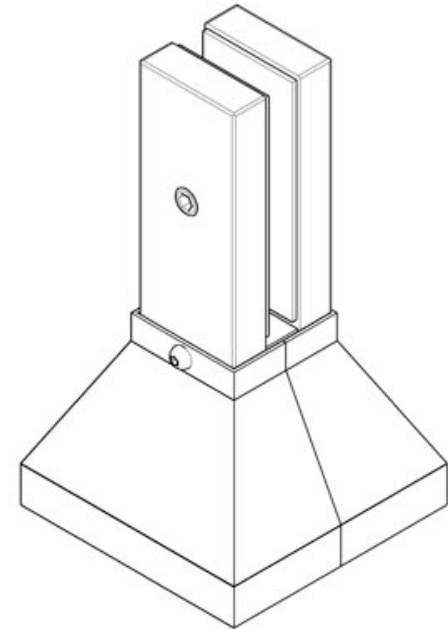
These instructions will provide step-by-step installation guidelines for installing the Stainless Steel Spigot Square Pyramid Glass Clamp. The clamp is designed to work with 1/2" (or 12mm) glass thickness.

Caution:

Wear protective ANSI approved safety glasses, working gloves and breathing mask at all times.

Tools Required

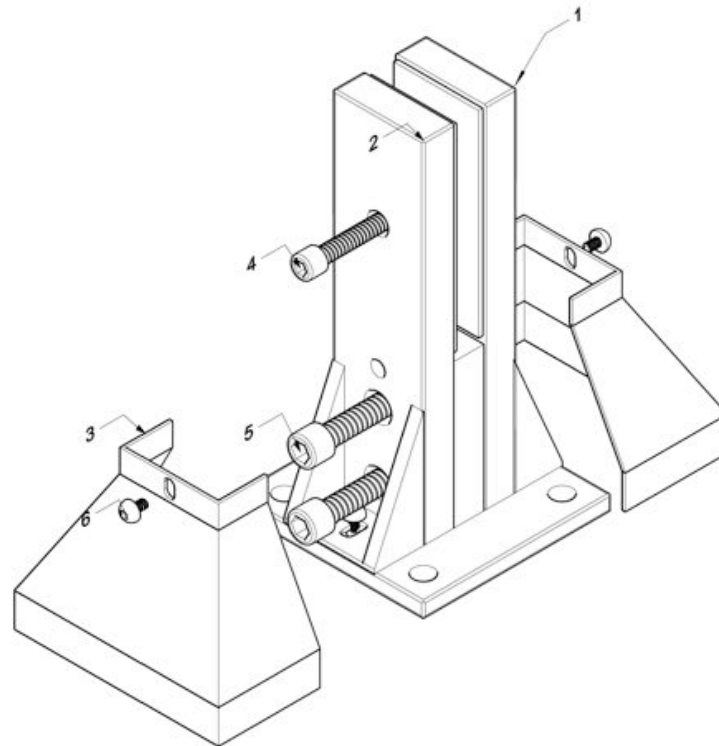
- 1) Drilling tool to go into wood/concrete
- 2) 8mm, 6mm, and 4mm Allen wrench
- 3) Holes required on glass are 1/2" in diameter

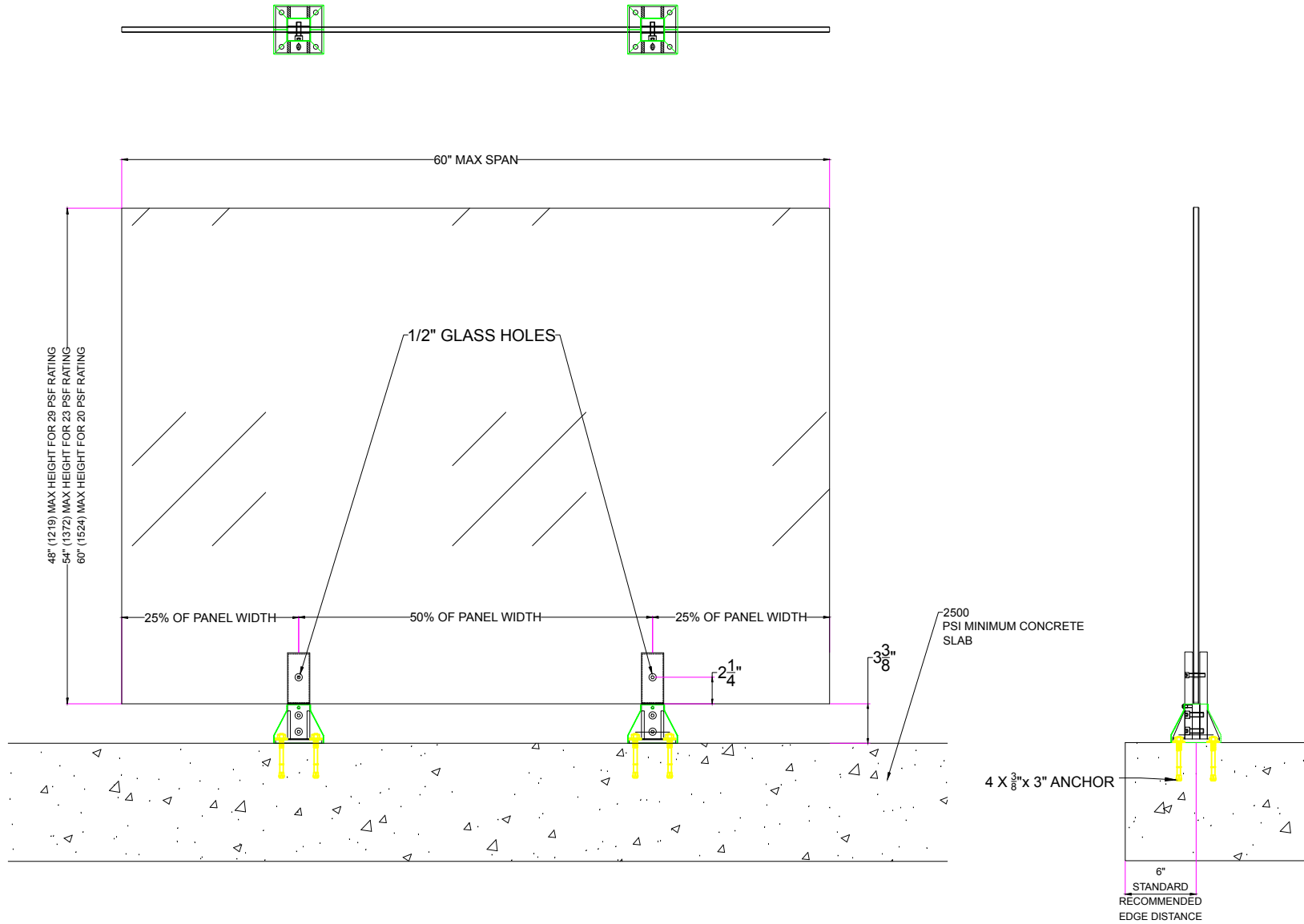


¹ This document includes hyperlinks and is intended to be viewed as a PDF file rather than print material

Part list:

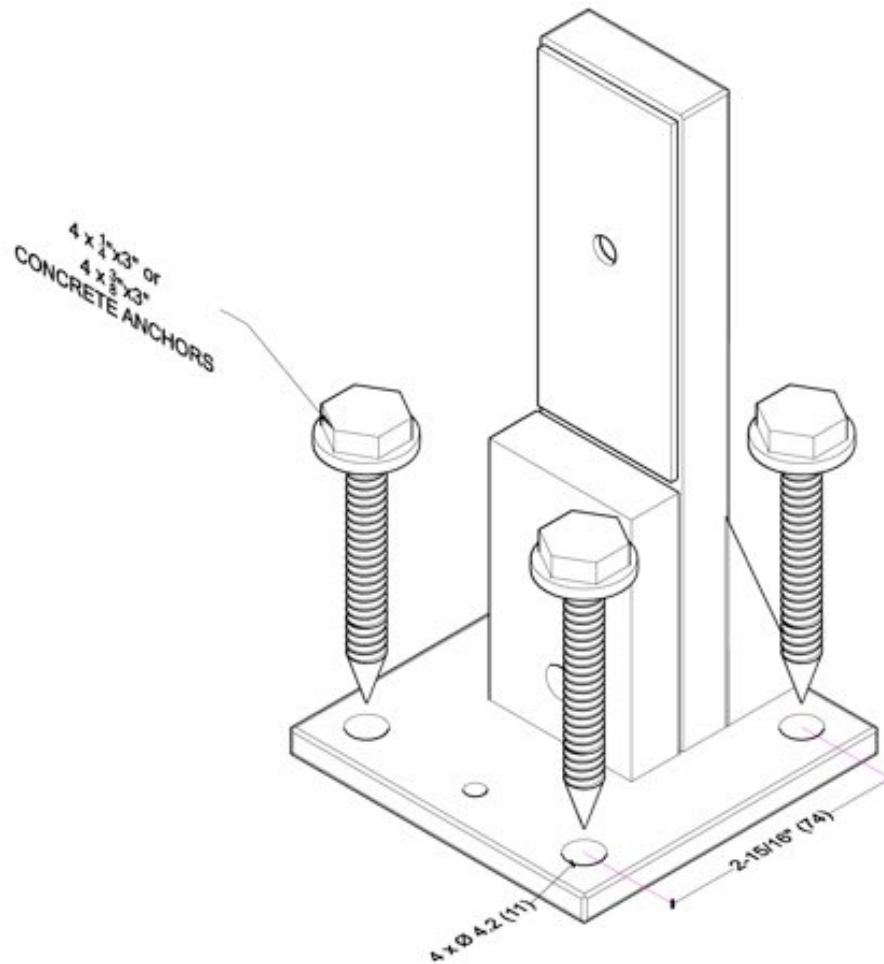
1. Half welded plate
2. Half plate
3. Base Cover
4. 1 x M8
5. 2 x M10
6. 3 x M5



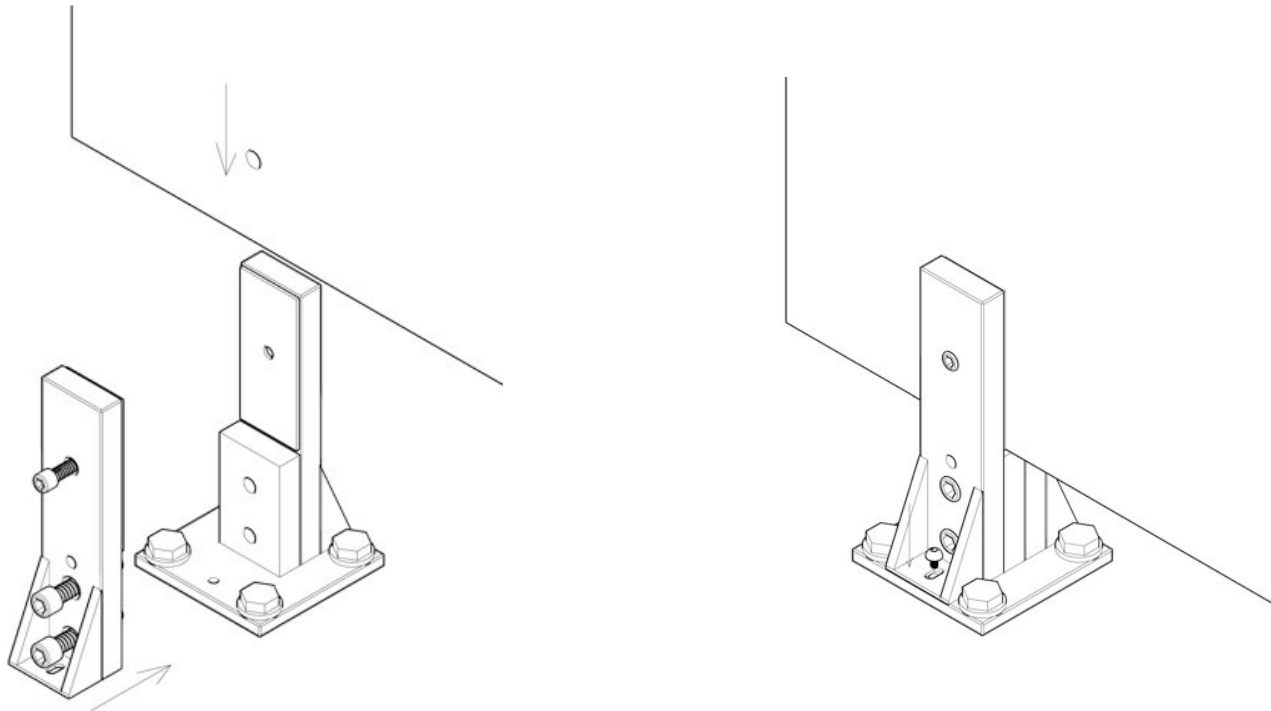


Instructions

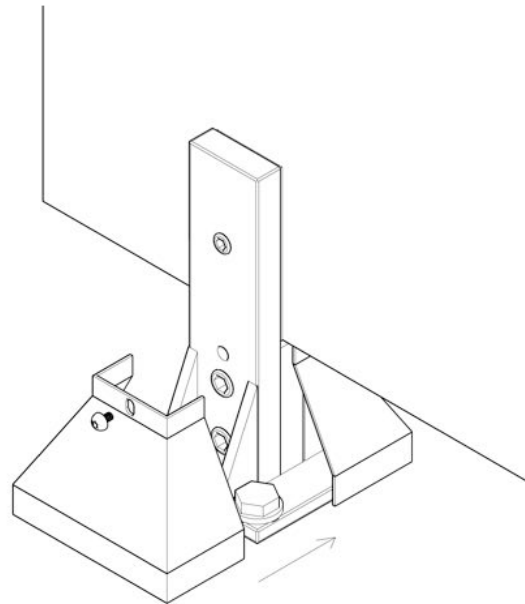
- 1) Begin by bolting down the base. Mounting hardware are NOT supplied by Inline Design. Recommended concrete anchor minimum length 3" (1/4" or 3/8" diameter) and concrete slab minimum PSI 2500. Please refer to concrete anchors manufacturer documents for installation, edge distances and concrete psi ratings.



- 2) The spigot is provided with 3 shims (2 x 2mm and 1 x 1mm thick) that accommodate for discrepancies in glass manufacturing of 1/2" (or 12mm). The goal is to have even pressure when tightening the spigot clamp. Use 2 or 3 of the provided shims to achieve that goal depending on the field glass thickness (at least 1 in the front and 1 in the back).
- 3) Set the plastic shim glass protector in place then slide down the glass panel. You may want to use a cork protector pad that comes with the glass panels at the bottom of the glass panel for extra protection. Slide the removable plate in place, and tighten all 3 bolts, using an 8mm Allen wrench for the bottom two bolts and a 6mm Allen wrench for the top one. Screw in the small button head M5 screw at the bottom of the plate using a 4mm Allen wrench for additional stability



- 4) Put the base covers on and secure them in place using the provided 2x M5 screw on each side of the Spigot using a 4mm Allen wrench. The base height is slightly adjustable to compensate for the floor irregularities.



NOTE: A small amount of surface corrosion is not uncommon after some exposure to weather or salty conditions; we recommend using our [passivation solution](#) or a stainless steel polish to prevent surface corrosion; more information available [on our Engineering Specs Page](#)