

Installing Stainless Steel Handrail Wall Bracket

Square Magnetar

Overview¹

These instructions will provide step-by-step installation guidelines for installing the heavy duty Stainless Steel Handrail Wall Bracket Magnetar, HBWA.014, into sheetrock, wood, or drywall surfaces

This bracket comes with a round saddle adapter to attach to round tubing, a wall bracket screw, a countersunk bolt to attach the flat saddle, and 2x M5 screws to attach to a handrail

Brackets should be installed with a maximum distance of 5'

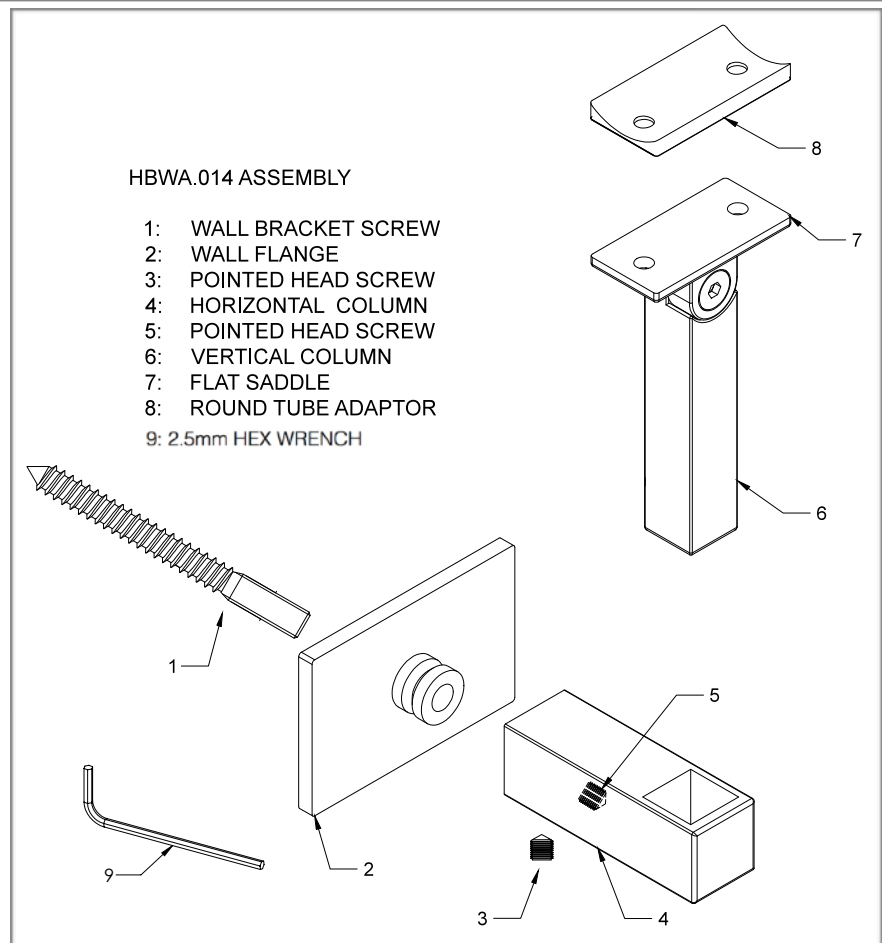
Caution:

Wear protective ANSI approved safety glasses, working gloves and breathing mask at all times



Tools Required

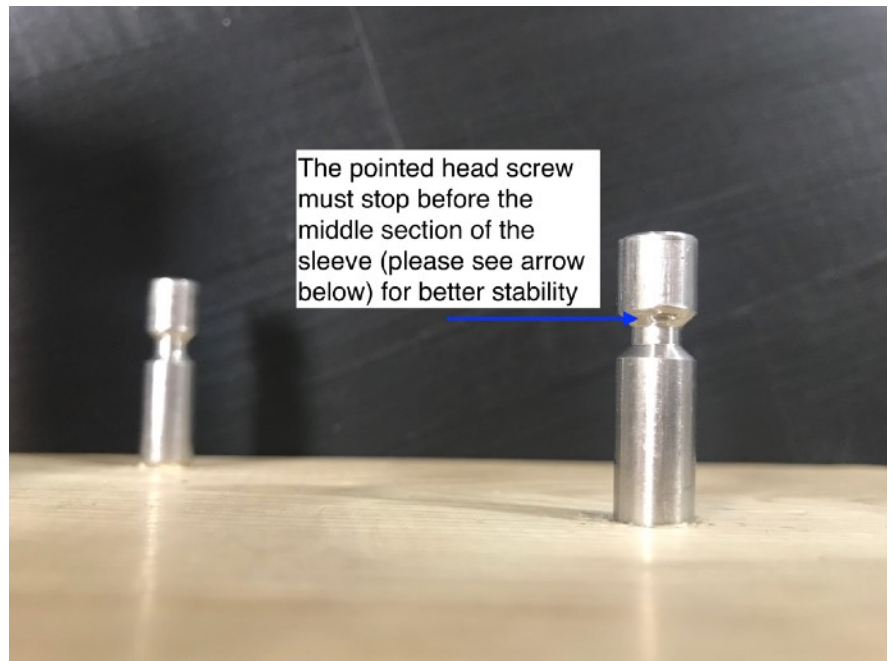
- 1) Stud-finder
- 2) Handheld drill
- 3) 3/16" drill bit
- 4) 4mm hex wrench



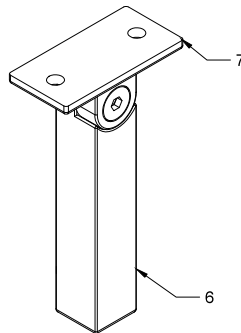
¹ This document includes hyperlinks and is intended to be viewed as a PDF file rather than print material

Instructions

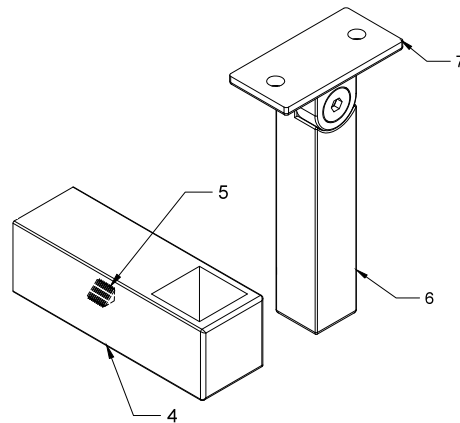
- 1) Using a stud-finder, locate a stud and the vertical position on the wall that you wish to mount the bracket (this position averages 30" from the nose of the step depending on your code and comfort). Spot drill using 3/16" drill bit.
- 2) Drive the assembled screw and flange into the hole and secure the lag end of the stud using a 4mm allen wrench. Make sure to leave the lag screw groove 1-1/8" from the wall



- 3) Insert the wall flange (part #2) and the horizontal column (part #4) respectively into the sleeve. Position the flange and the bracket to the desired angle orientation and tighten the hex screw (part #3) at the bottom of the main assembly with the 2.5mm wrench (part #9).
- 4) Use the included countersunk bolt to attach the flat saddle to the vertical column; tighten with a 4mm hex wrench



- 5) With the bolt exposed to the frontside, position the vertical column into the open square of the horizontal column and tighten the pointed head screw (#5 on diagram) using a 2.5mm hex wrench (part #9) when the vertical column is at the desired height



- 6) With the main assembly put together, slide the horizontal column onto the secured wall flange and tighten the pointed head screw with a 3mm allen wrench

- 7) [Refer to these instructions to install Inline Design square or round tubing and additional hardware](#)
Note: If using a round handrail, position the round saddle adapter on top of the flat saddle before attaching handrails

- 8) Tighten the M6 bolt with hex wrench to secure the adjustable saddle

NOTE: A small amount of surface corrosion is not uncommon after some exposure to weather or salty conditions; we recommend using our [passivation solution](#) or a stainless steel polish to prevent surface corrosion; more information available [on our Engineering Specs Page](#)