

Installing Stainless Steel Handrail Wall Bracket

Square adjustable

Overview¹

These instructions will provide step-by-step installation guidelines for installing the Stainless Steel Handrail Wall Bracket Square adjustable, HBWA.017 into wood, drywall, or sheetrock

These brackets come with a wall bracket screw/hanger bolt to attach to the wall, and two M5 bolts to attach to a handrail

Brackets should be installed at a maximum spacing of 5'

Caution: Wear protective ANSI approved safety glasses, working gloves and breathing mask at all times

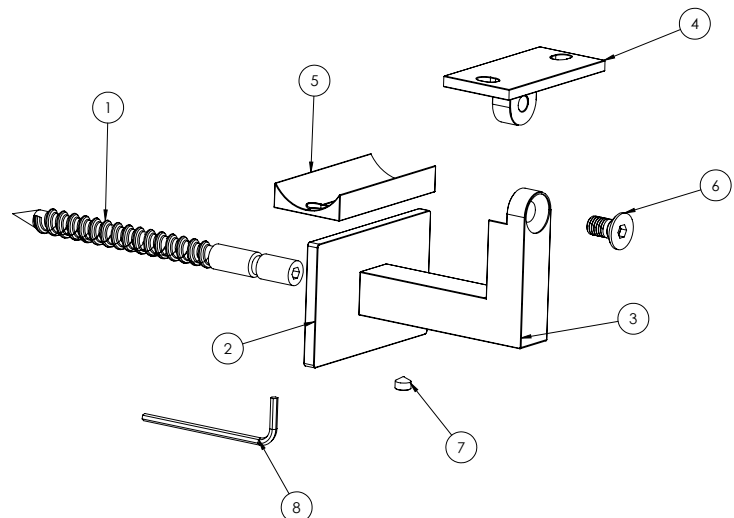


Tools Required

- 1) Stud-finder
- 2) Handheld drill
- 3) 3/16" drill bit
- 4) 5mm hex wrench
- 5) M5x0.8 Drill and Tap

Bracket Components

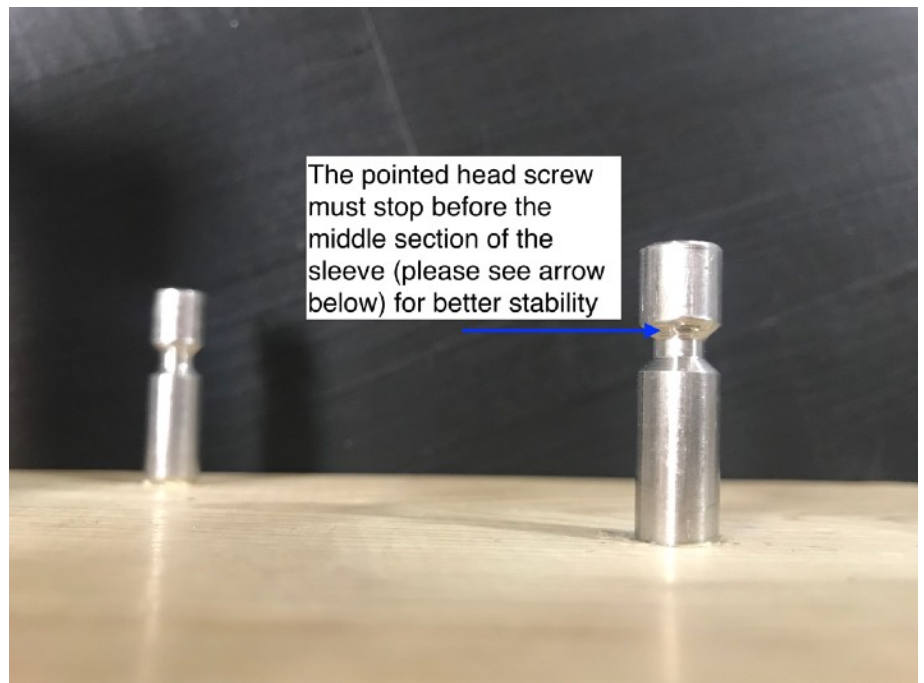
1. Hanger Bolt
2. Wall Flange Plate
3. Bracket/Main Assembly
4. Adjustable Saddle
5. Adapter Saddle (for round tube)
6. M6x1.0x12mm Bolt - ISO738
7. M5 Socket Screw
8. 2.5mm L Hex Wrench



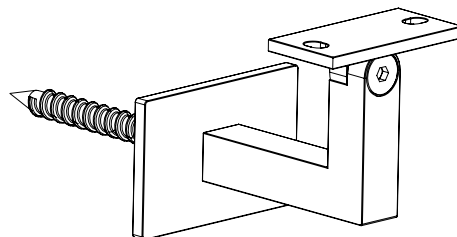
¹ This document includes hyperlinks and is intended to be viewed as a PDF file rather than print material

Instruction

- 1) Using a stud-finder, locate a stud and the vertical position off the nose of the step that you would like to position the handrail bracket (this hole on average is 31" depending on your county code and comfort). Spot drill using 3/16" drill bit.
- 2) Drive the hanger screw (part #1) into the hole and secure the lag end of the stud using a 5mm hex wrench. Make sure to leave the lag screw groove 1-1/8" from the wall.



- 3) Insert the wall flange (part #2) and the bracket (part #3) respectively into the sleeve. Position the flange and the bracket to the desired angle orientation and tighten the hex screw (part #7) at the bottom of the main assembly with the 2.5mm wrench (part #8).



- 4) To connect to Inline Design steel tubes, insert the two M5 bolt through two holes on the saddle of the main assembly, [refer to these instructions to install Inline Design square or round tubing and additional hardware](#).

Note: If affixing to a wooden handrail, customers will need to purchase lag screw to replace M5 bolt

- 5) Tighten M6 bolt(part #6) with the hex wrench to secure the adjustable saddle

NOTE: A small amount of surface corrosion is not uncommon after some exposure to weather or salty conditions; we recommend using our [passivation solution](#) or a stainless steel polish to prevent surface corrosion; more information available [on our Engineering Specs Page](#)