

# Installing Stainless Steel Bar Holder

---

## Overview<sup>1</sup>

Below are instructions for mounting a Bar Holder of our Bar system. The bar holders are made to fit our [Stainless Steel Square Bars](#).

**Caution:**

Wear protective ANSI approved safety glasses, working gloves and breathing mask at all times

---

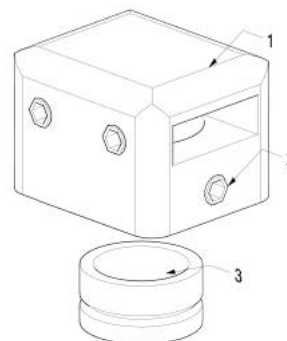
## Tools Required

- 1) 2.5mm allen wrench



## Components:

- 1) Bar holder
- 2) 4 x M5 screws
- 3) Mounting ring

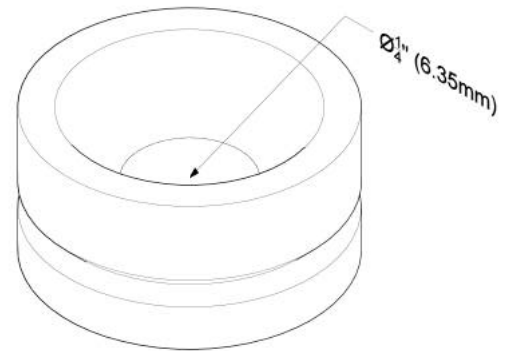
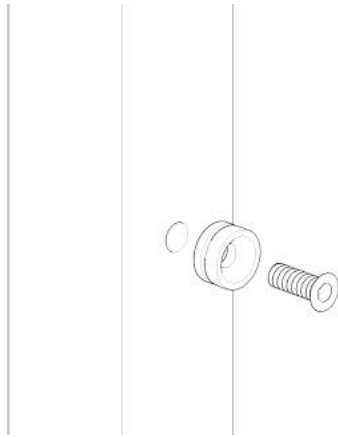


---

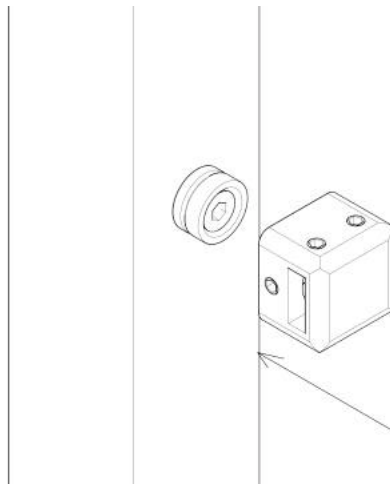
<sup>1</sup> This document includes hyperlinks and is intended to be viewed as a PDF file rather than print material

## Instructions

- 1) Unscrew the two side M5 screws until the mounting ring falls out

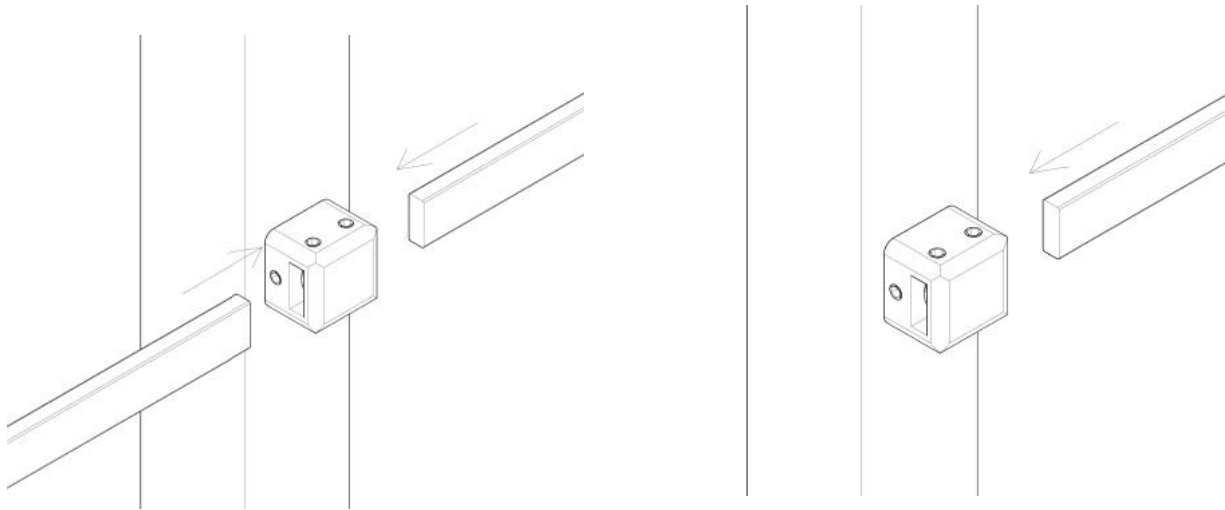


- 2) Connect the mounting ring to the post surface using an M6 x 1.0mm (or equivalent) countersunk screw [Inline Design provides M6 screws when purchasing a post kit]



- 3) Slide the bar holder over the ring then fasten the two side M5 screws. Please note that in case of stairs installation rotate the bar holder at the desired angle of the stairs

**Note:** For illustration purpose the figure is showing the screws as being on top. In real scenarios you want the screws to be at the bottom so they don't show



- 4) The bar holder is designed with two screws so it can accommodate two bars from either side like a joiner
- 5) [Refer to these instructions to install Inline Design square or round tubing and additional hardware](#)  
Note: If using a round handrail, position the round saddle adapter on top of the flat saddle before attaching handrails

---

NOTE: A small amount of surface corrosion is not uncommon after some exposure to weather or salty conditions; we recommend using our [passivation solution](#) or a stainless steel polish to prevent surface corrosion; more information available [on our Engineering Specs Page](#)