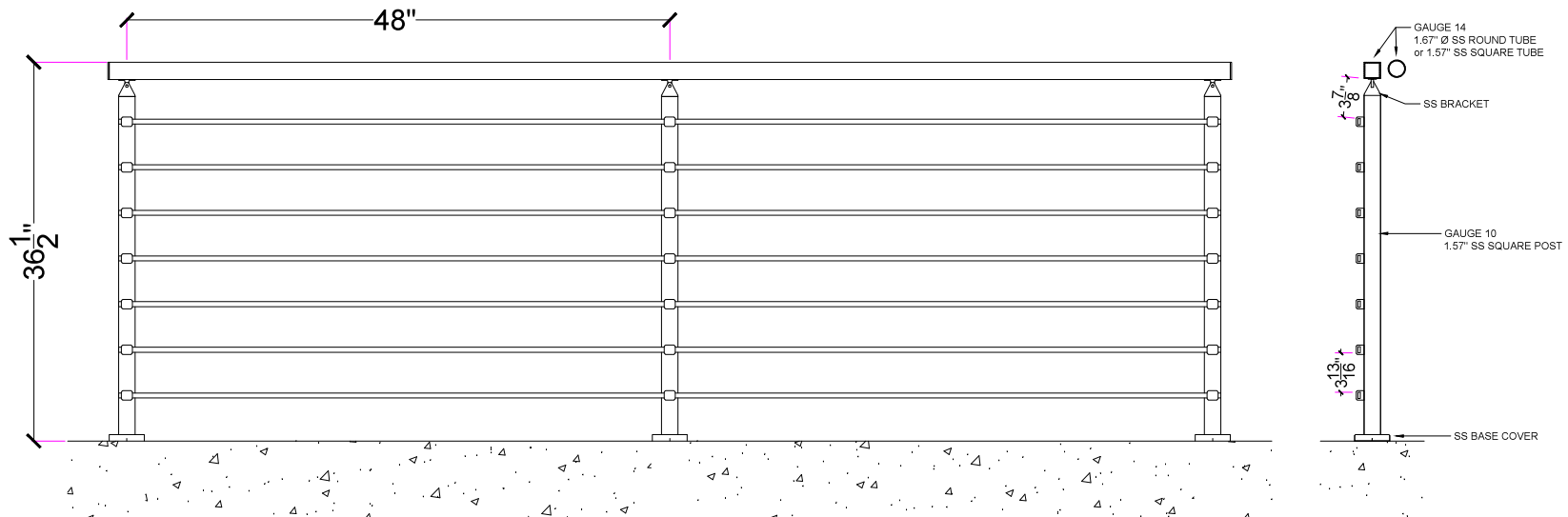


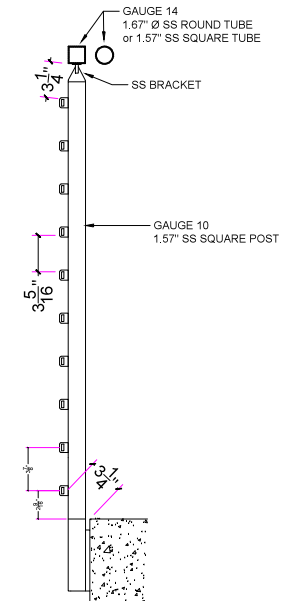
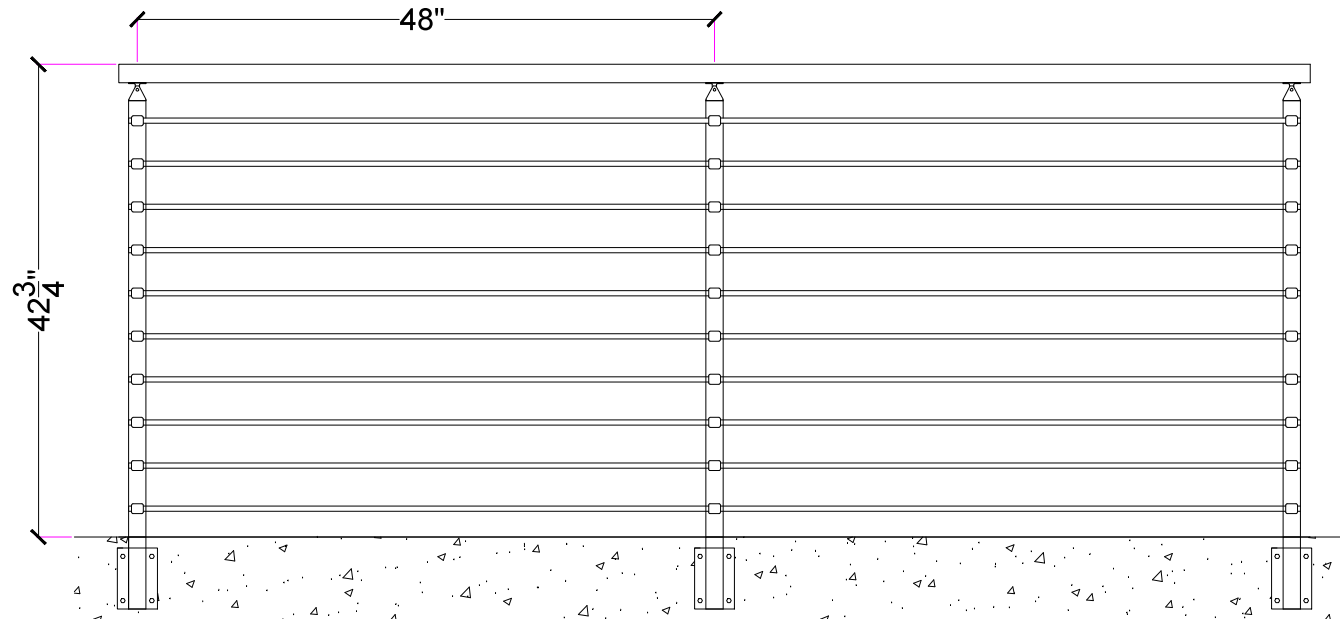
## FLOOR MOUNT STRAIGHT RUN

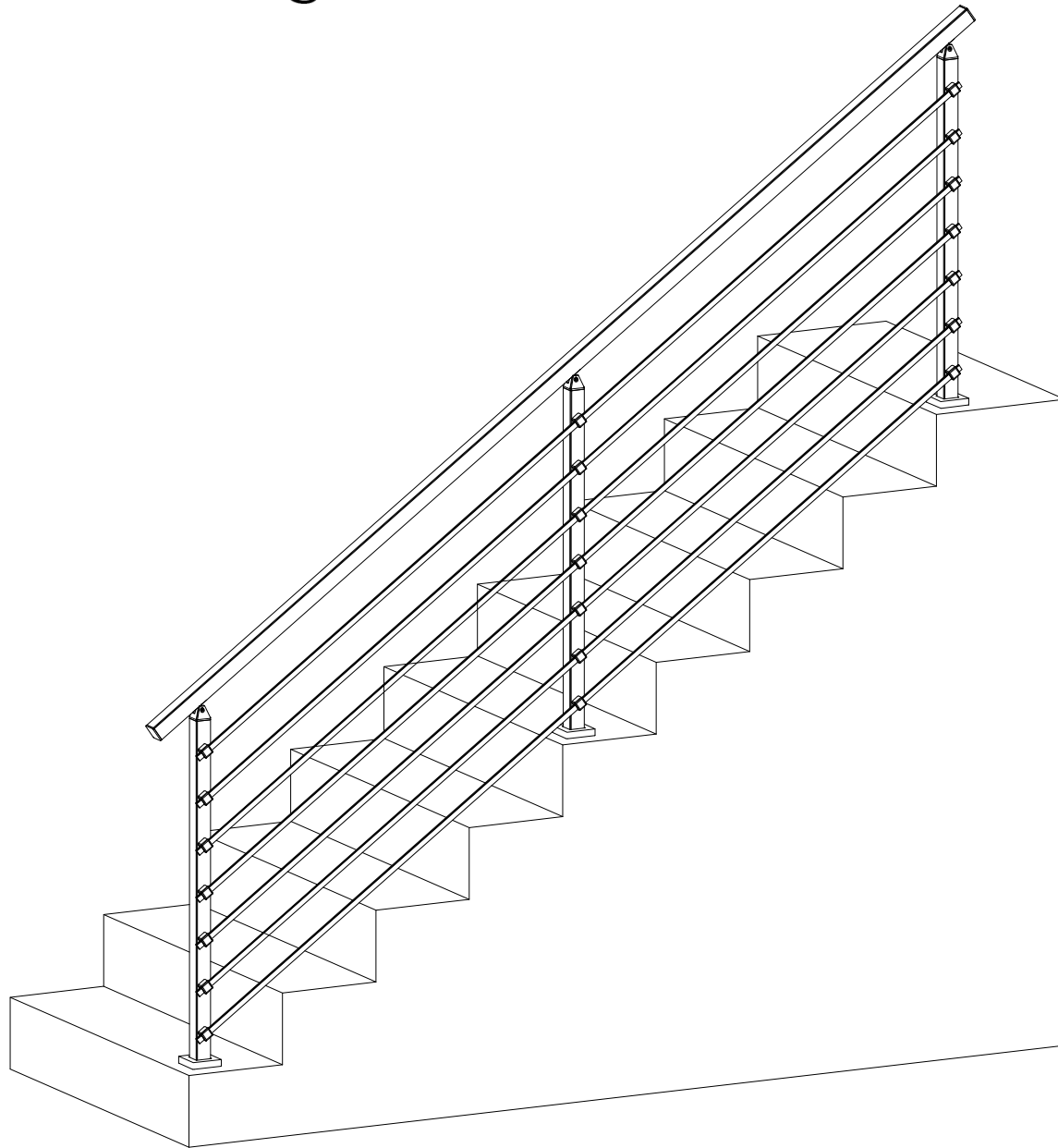
AVAILABLE IN 36" AND 42" HEIGHT

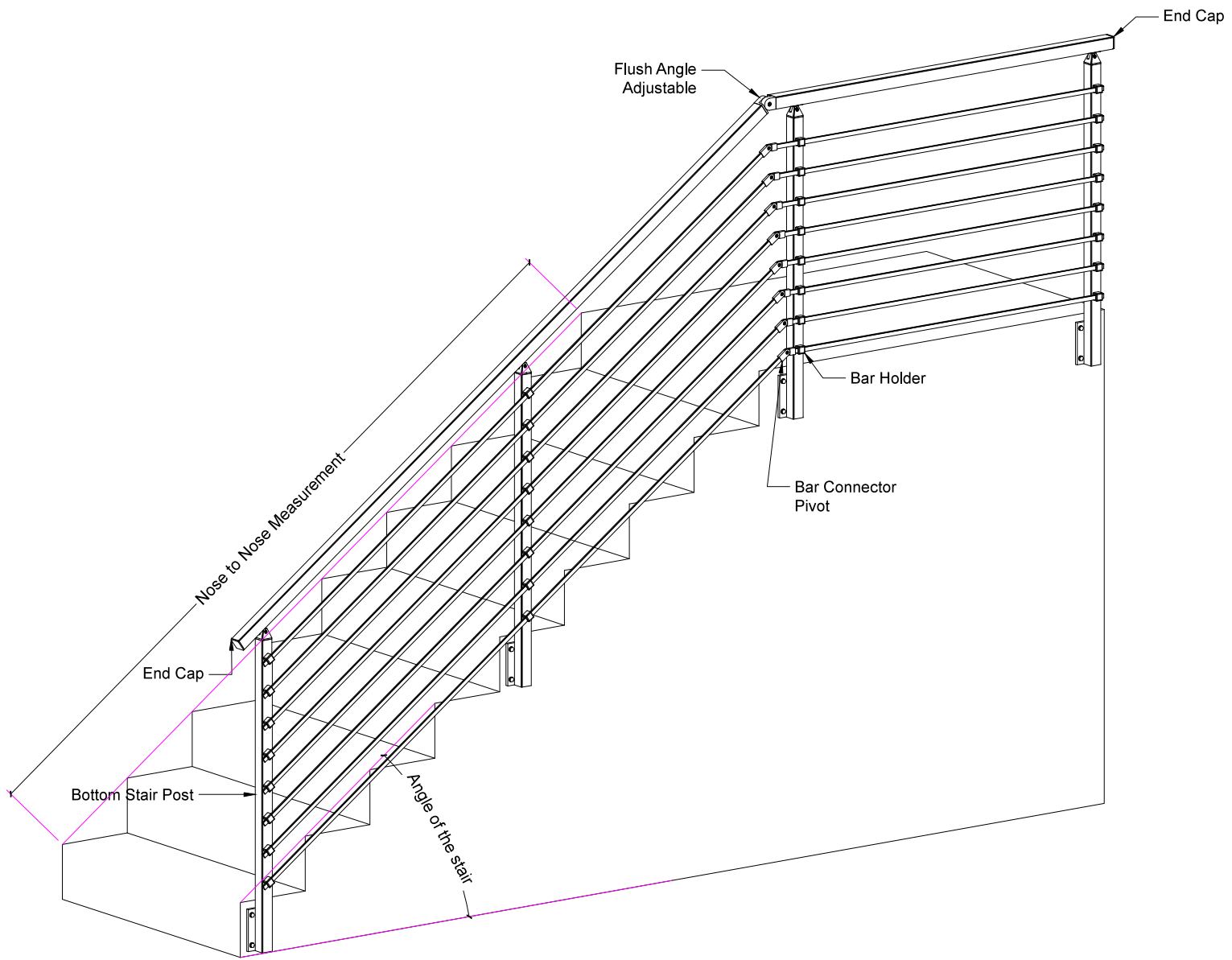


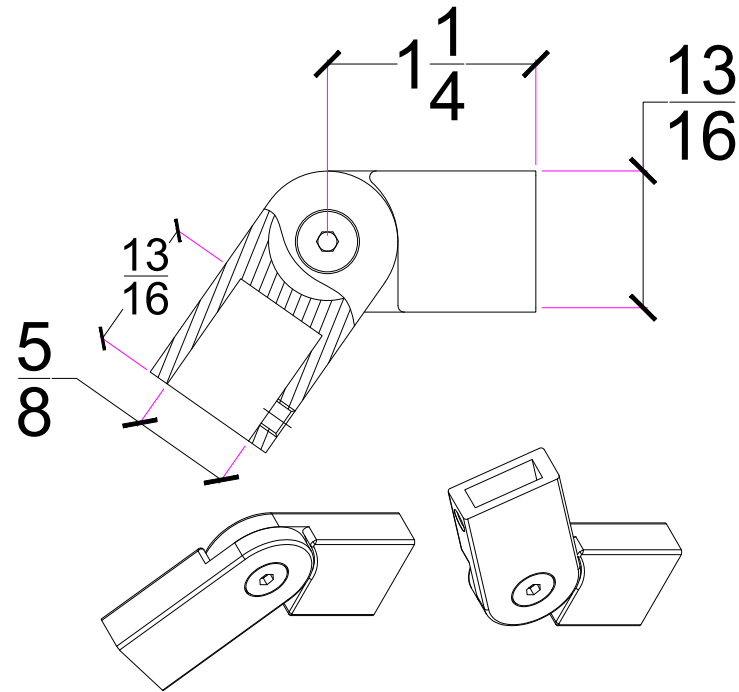
## FASCIA MOUNT STRAIGHT RUN

AVAILABLE IN 36" AND 42" HEIGHT



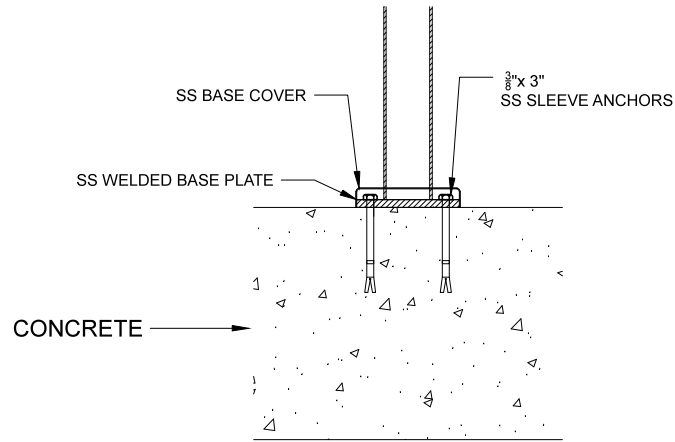




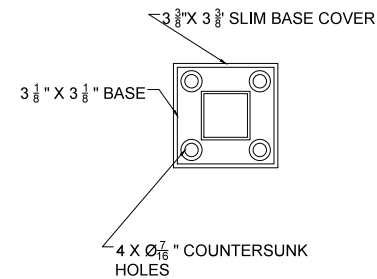


FLOOR MOUNT ANCHORING INTO CONCRETE AND WOOD

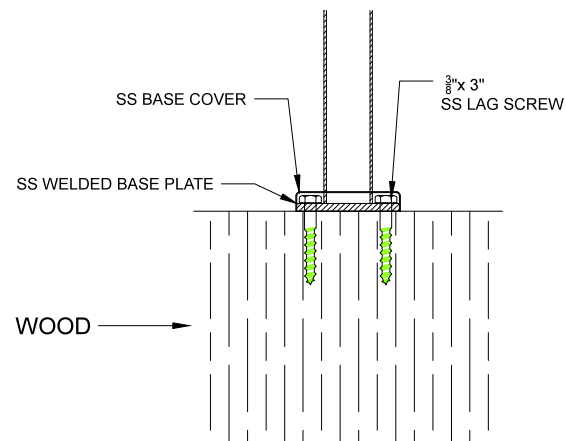
FRONT VIEW



TOP VIEW SQUARE

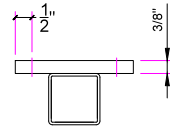


FRONT VIEW

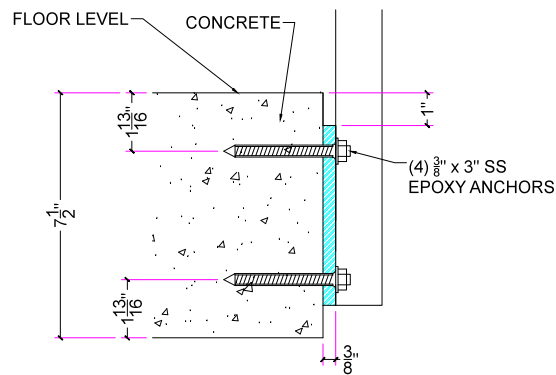


END & MIDDLE FASCIA BRACKET ANCHORING INTO CONCRETE

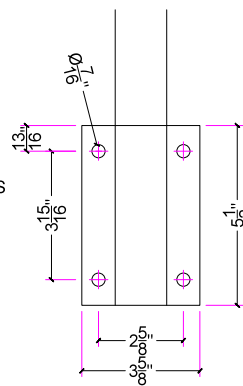
TOP VIEW SQUARE



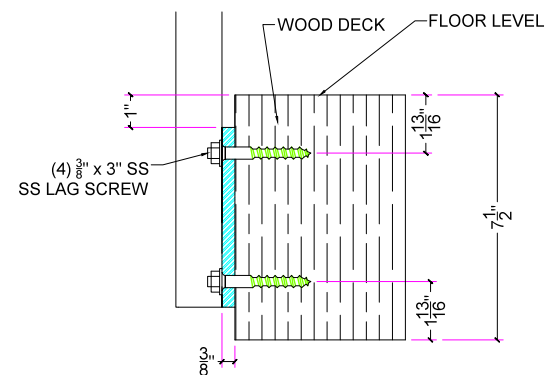
SIDE VIEW



FRONT VIEW

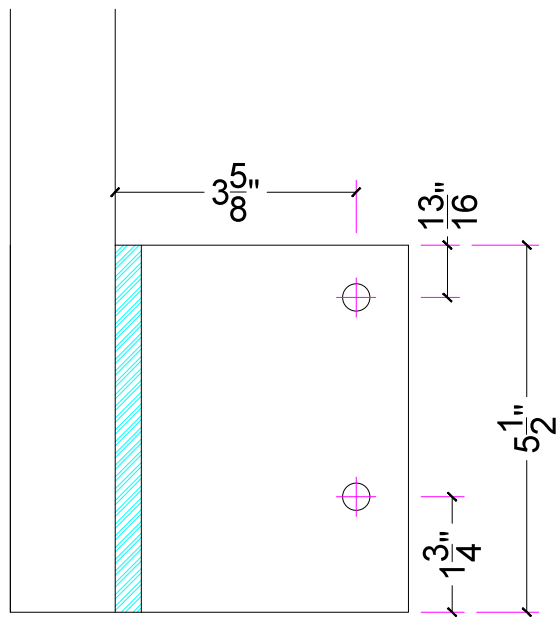


SIDE VIEW

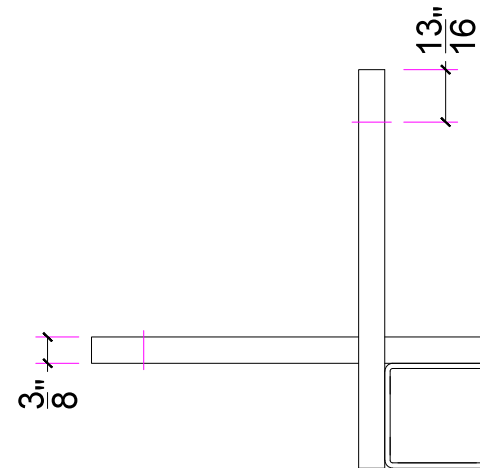


## OUTSIDE CORNER FASCIA BRACKET

SIDE VIEW

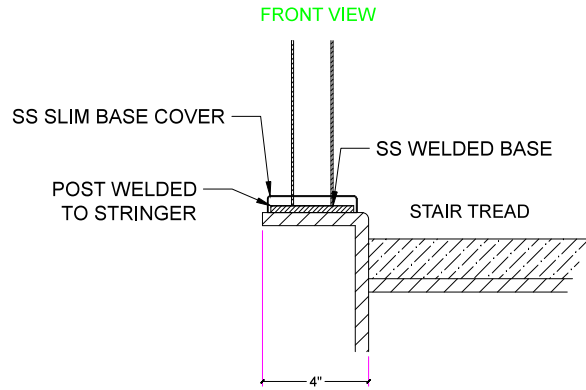


TOP VIEW SQUARE

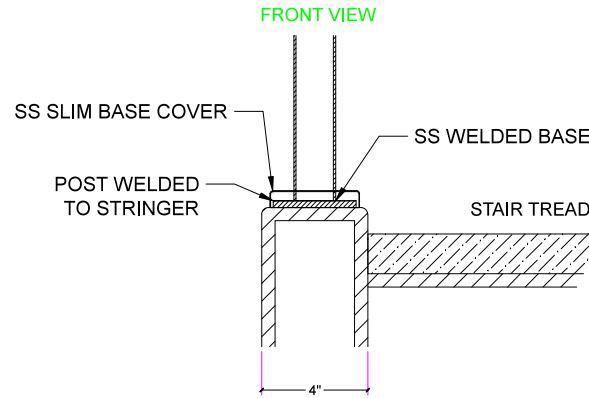




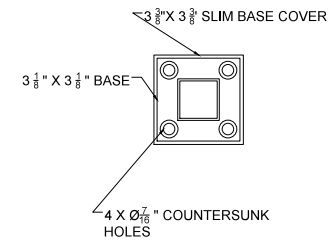
WELDED STAIR MOUNTING (CHANNEL STRINGER)



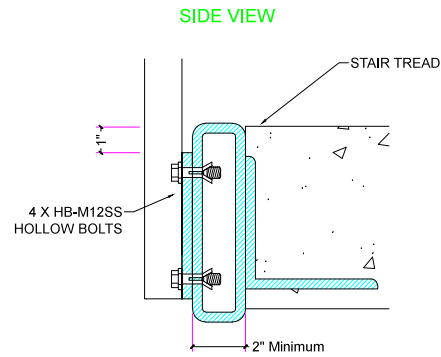
WELDED STAIR MOUNTING (4" STRINGER)



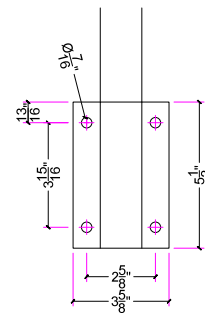
TOP VIEW SQUARE



FASCIA WALL MOUNT SPECS INTO TUBE STRINGER



FRONT VIEW



TOP VIEW SQUARE

