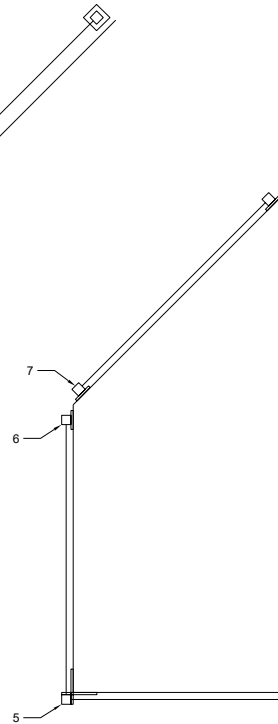


SQUARE FLOOR MOUNT

#	DESCRIPTION	SKU
1	LOWER STAIR POST	SQU.PL.STR.LOW
2	MIDDLE STAIR POST	SQU.PL.STR.MID
3	UPPER STAIR 90-L	SQU.PL.STR.UPP
4	MIDDLE POST	SQU.CBL.MID
5	END POST-TERMINAL	SQU.PL.TER
6	END POST-TENSIONER	SQU.PL.TEN
7	UPPER STAIR 180	SQU.PL.STR.UPP
8	CORNER POST	SQU.PL.CRN



SQUARE FASCIA/SIDE MOUNT

#	DESCRIPTION	SKU
1	LOWER STAIR FASCIA POST	WSQU.PL.STR.LOW
2	MIDDLE STAIR FASCIA POST	WSQU.PL.STR.MID
3	UPPER STAIR INSIDE CORNER	WSQU.PL.STR.UPP
4	MIDDLE FASCIA POST	WSQU.CBL.MID
5	OUTSIDE CORNER FASCIA POST	WSQU.PL.TER
6	END FASCIA POST-TERMINAL	WSQU.PL.TEN
7	END FASCIA POST-TENSIONER	WSQU.PL.STR.UPP
8	UPPER STAIR FASCIA 180	WSQU.PL.CRN

**INLINE DESIGN**

1420 TERRY AVE #2304  
SEATTLE, WA 98108  
WWW.INLINEDSIGN.US

PHONE: (425) 405 5505  
FAX: (866) 864 0608  
SALES@INLINEDSIGN.US

**SQUARE PRESS AND LATCH  
CABLE RAILING SYSTEM**

DWG 1:

**POSTS TYPE**

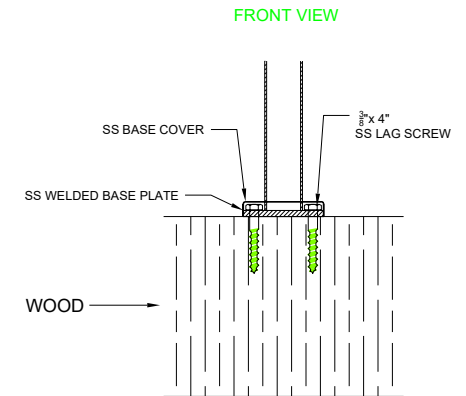
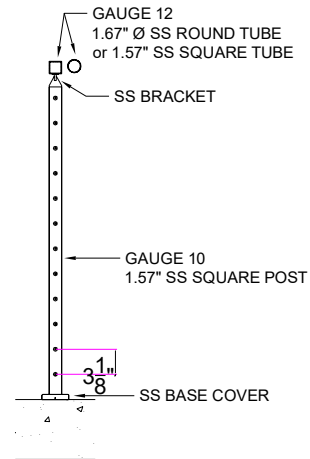
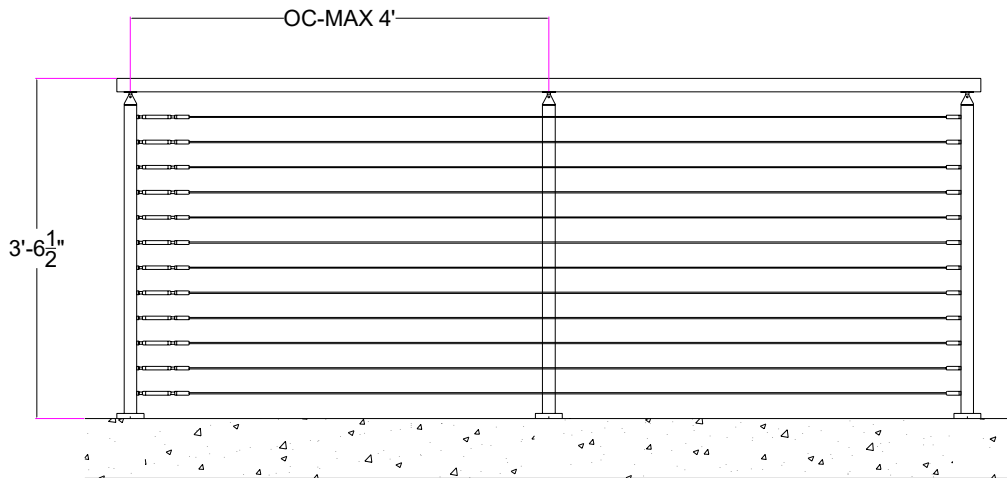
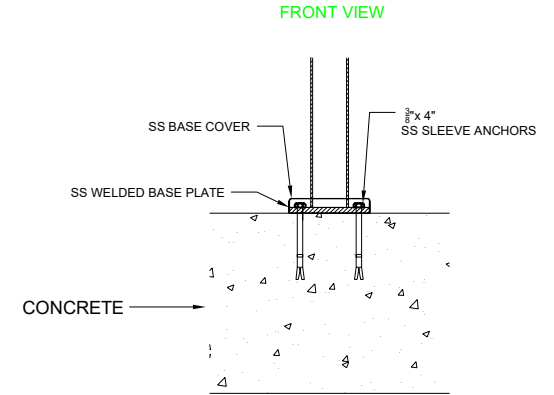
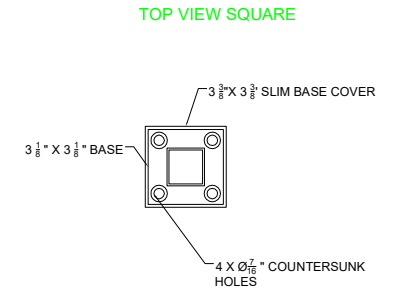
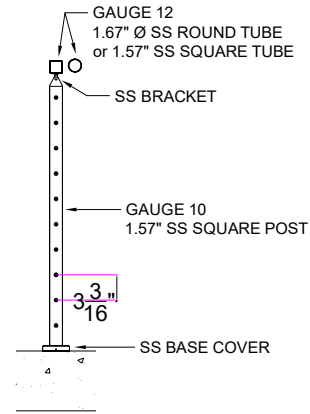
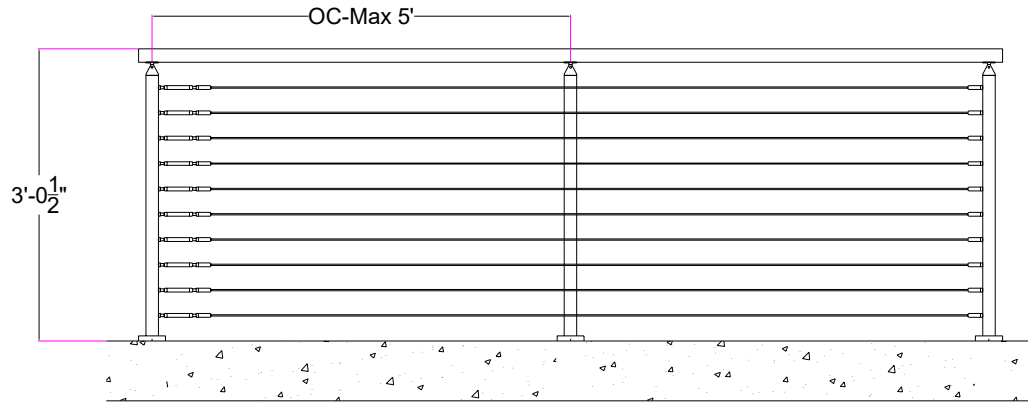
MATERIAL: SS STEEL 316 DATE: 07/27/17

DESIGNER: INLINEDSIGN

SCALE: NONE SHEET: 1 OF 7

# FLOOR MOUNT STRAIGHT RUN

AVAILABLE IN 36" (OC-Max 5') AND 42" HEIGHT (OC-Max 4')



## INLINE DESIGN

1420 TERRY AVE #2304  
SEATTLE, WA 98108  
WWW.INLINEDESIGN.US

PHONE: (425) 405 5505  
FAX: (866) 864 0608  
SALES@INLINEDESIGN.US

SQUARE PRESS AND LATCH  
CABLE RAILING SYSTEM

DWG 2:

FLOOR MOUNT POSTS

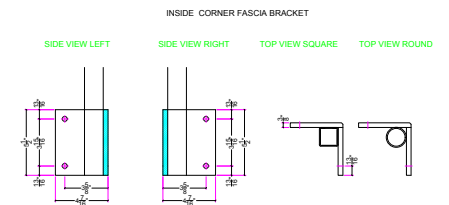
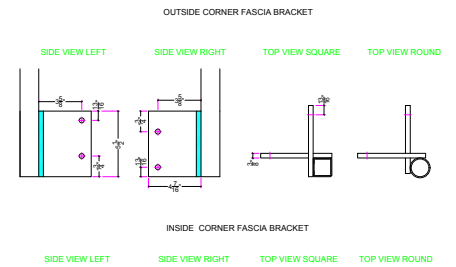
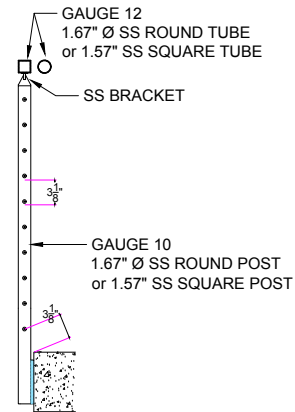
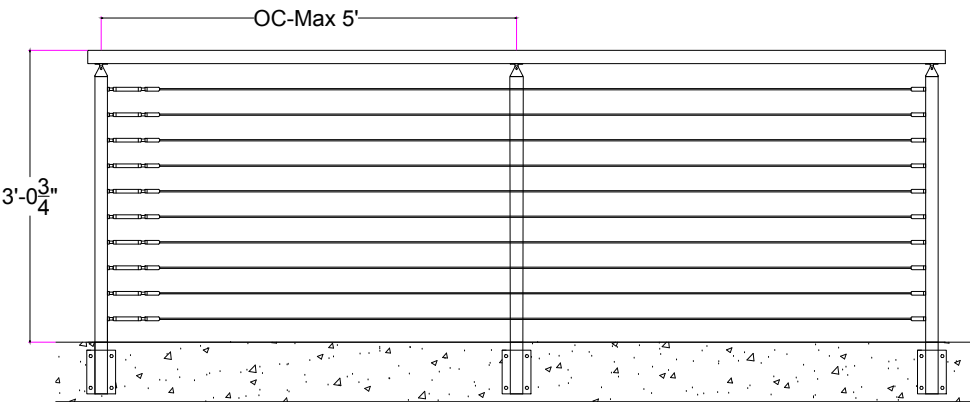
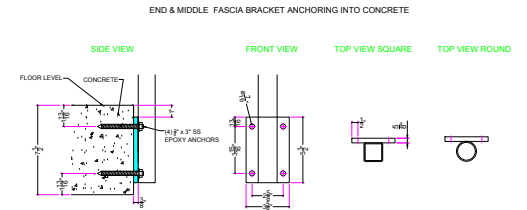
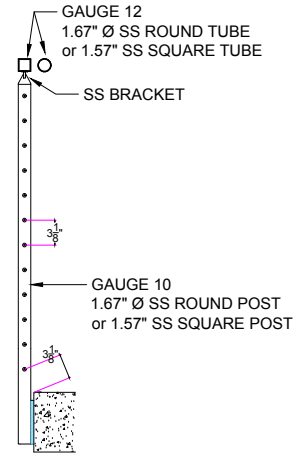
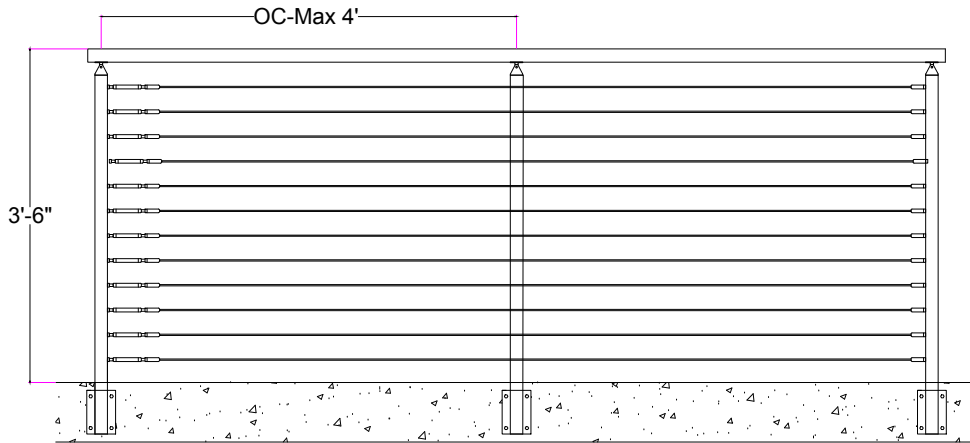
MATERIAL: SS STEEL 316  
DATE: 07/27/17

DESIGNER: INLINEDESIGN

SCALE: NONE  
SHEET: 2 OF 7

# FASCIA MOUNT STRAIGHT RUN

AVAILABLE IN 36" (OC-Max 5') AND 42" HEIGHT (OC-Max 4')



INLINE DESIGN

SQUARE PRESS AND LATCH  
CABLE RAILING SYSTEM

MATERIAL: SS STEEL 316 DATE: 07/27/17

DESIGNER: INLINE DESIGN

1420 TERRY AVE #2304  
SEATTLE, WA 98108  
WWW.INLINEDESIGN.US

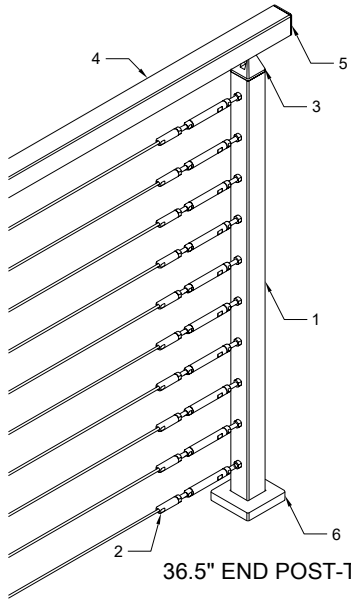
PHONE: (425)405 5505  
FAX: (866)864 0608  
SALES@INLINEDESIGN.US

DWG 3:

42 VS 36 HEIGHT

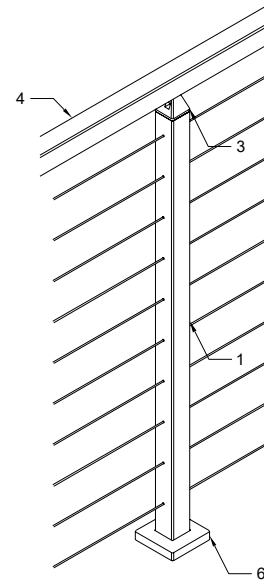
SCALE: NONE

SHEET: 3 OF 7



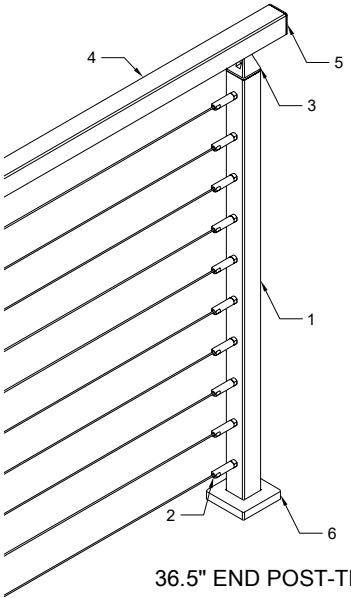
36.5" END POST-TENSIONER

#	DESCRIPTION	QTY
1	SQUARE POST	1
2	PL TENSIONER	10
3	PYRAMID BRACKET	1
4	TOP RAIL	NOT INCLUDED
5	END CAP	NOT INCLUDED
6	BASE COVER	NOT INCLUDED



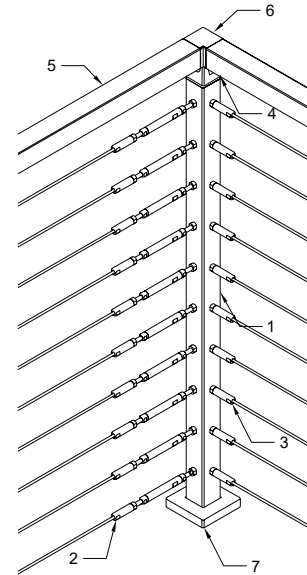
36.5" MIDDLE POST

#	DESCRIPTION	QTY
1	SQUARE POST	1
2	PYRAMID BRACKET	1
3	TOP RAIL	1
4	BASE COVER	NOT INCLUDED



36.5" END POST-TERMINAL

#	DESCRIPTION	QTY
1	SQUARE POST	1
2	PL TERMINAL	10
3	PYRAMID BRACKET	1
4	TOP RAIL	NOT INCLUDED
5	END CAP	NOT INCLUDED
6	BASE COVER	NOT INCLUDED



36.5" CORNER POST

#	DESCRIPTION	QTY
1	SQUARE POST	1
2	PL TENSIONER	10
3	PL TERMINAL	10
4	PYRAMID BRACKET	1
5	TOP RAIL	NOT INCLUDED
6	90 M/M FLUSH ANGLE	NOT INCLUDED
7	BASE COVER	NOT INCLUDED

**INLINE DESIGN**

1420 TERRY AVE #2304  
SEATTLE, WA 98108  
WWW.INLINEDSIGN.US

PHONE: (425) 405 5505  
FAX: (866) 864 0608  
SALES@INLINEDSIGN.US

**SQUARE PRESS AND LATCH  
CABLE RAILING SYSTEM**

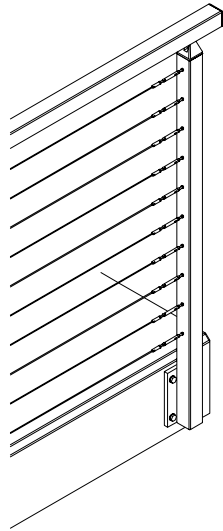
DWG 3:

**POSTS TYPE**

MATERIAL: SS STEEL 316  
DATE: 07/27/17

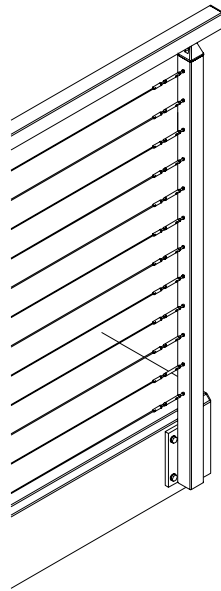
DESIGNER:  
INLINE DESIGN

SCALE: NONE  
SHEET: 4 OF 7



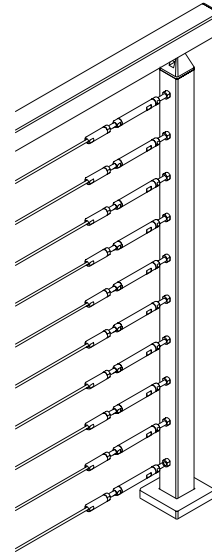
36.75" FASCIA MOUNT

PL CABLE FITTING 10



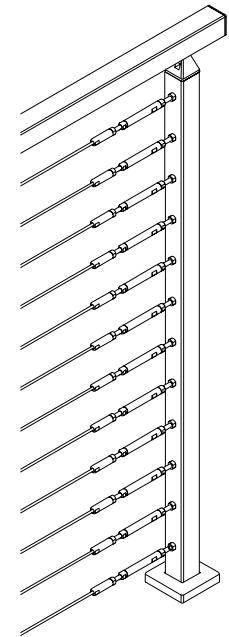
42.75" FASCIA MOUNT

PL CABLE FITTING 12



36.5" FLOOR MOUNT

PL CABLE FITTING 10



42.5" FLOOR MOUNT

PL CABLE FITTING 12

# INLINE DESIGN

1420 TERRY AVE #2304  
SEATTLE, WA 98108  
WWW.INLINEDESIGN.US

PHONE: (425) 405 5505  
FAX: (866) 864 0608  
SALES@INLINEDESIGN.US

## SQUARE PRESS AND LATCH CABLE RAILING SYSTEM

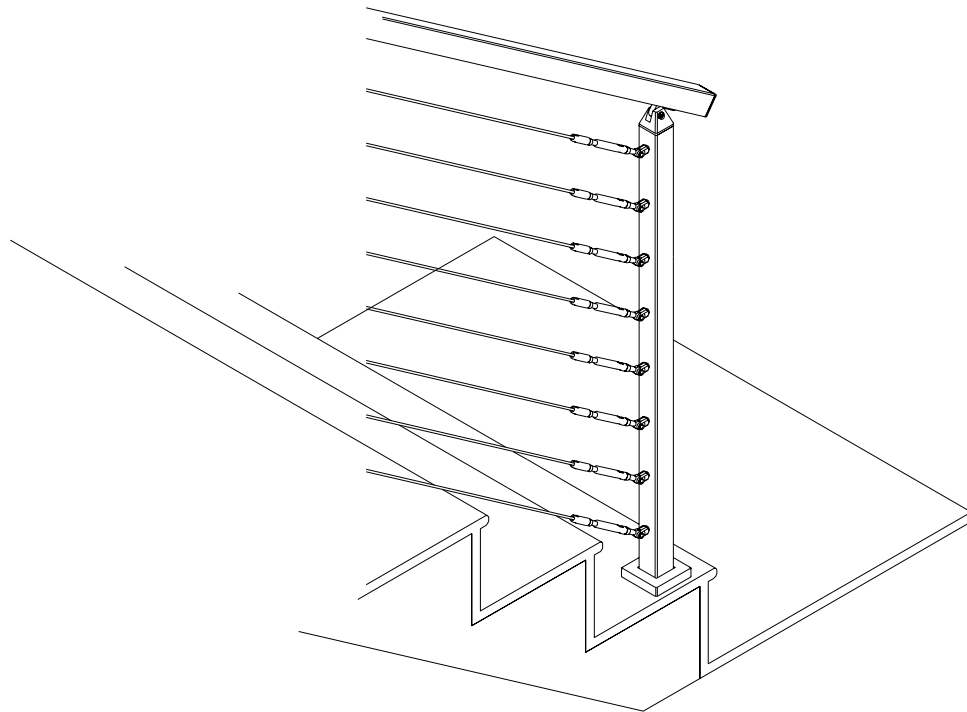
DWG 3:

42 VS 36 HEIGHT

MATERIAL: SS STEEL 316 DATE: 07/27/17

DESIGNER: INLINEDESIGN

SCALE: NONE SHEET: 5 OF 7



# INLINE DESIGN

1420 TERRY AVE #2304  
 SEATTLE, WA 98108  
 WWW.INLINEDESIGN.US

PHONE: (425) 405 5505  
 FAX: (866) 864 0608  
 SALES@INLINEDESIGN.US

## SQUARE PRESS AND LATCH CABLE RAILING SYSTEM

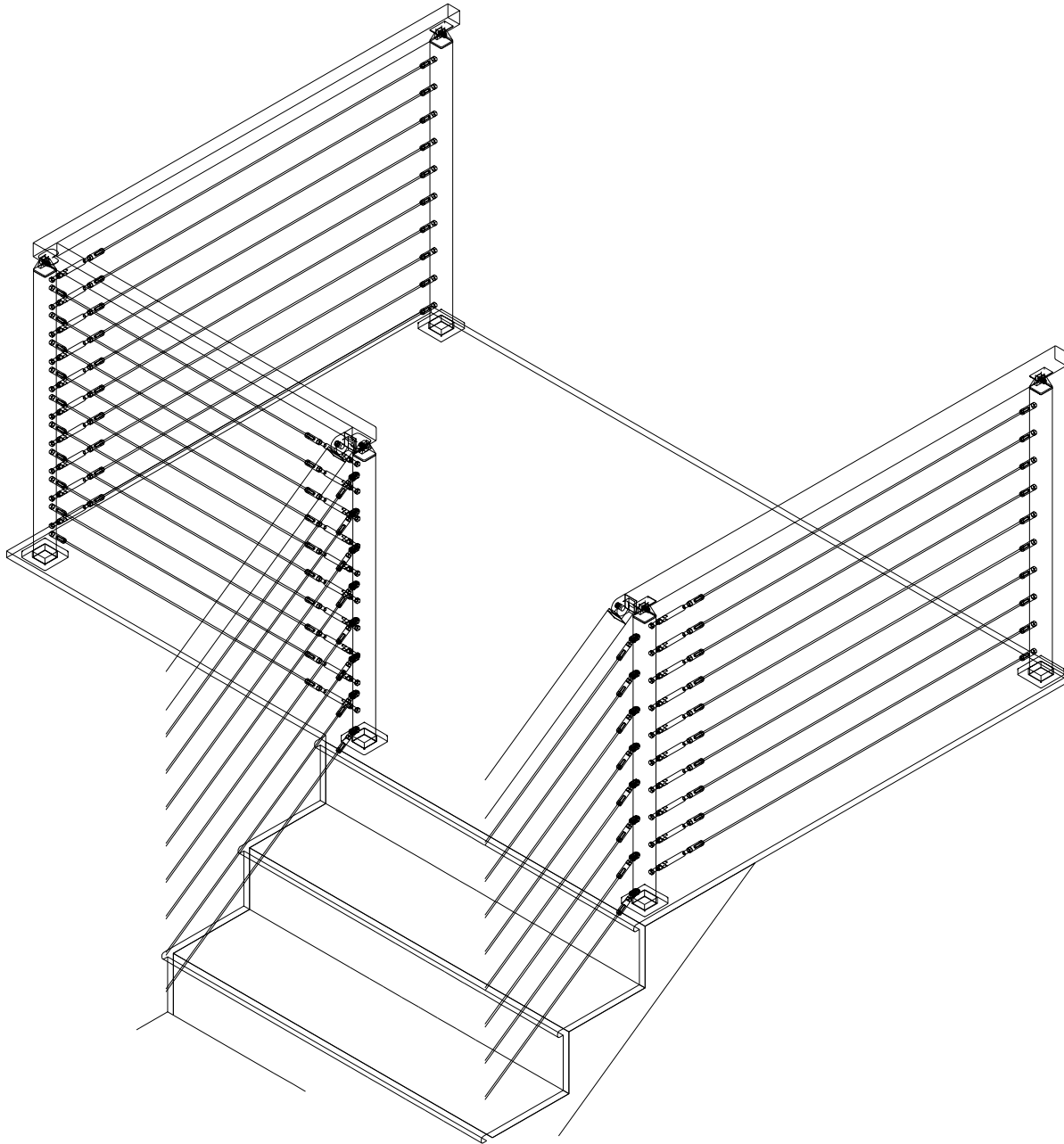
DWG 3:

### STAIR POSTS

MATERIAL: SS STEEL 316      DATE: 07/27/17

DESIGNER: INLINE DESIGN

SCALE: NONE      SHEET: 6 OF 7



# INLINE DESIGN

1420 TERRY AVE #2304  
 SEATTLE, WA 98108  
 WWW.INLINEDESIGN.US

PHONE: (425) 405 5505  
 FAX: (866) 864 0608  
 SALES@INLINEDESIGN.US

## SQUARE PRESS AND LATCH CABLE RAILING SYSTEM

DWG 3:

### STAIR POSTS

MATERIAL: SS STEEL 316      DATE: 07/27/17

DESIGNER: INLINE DESIGN

SCALE: NONE      SHEET: 7 OF 7