

6

5

4

3

2

1

D

D

C

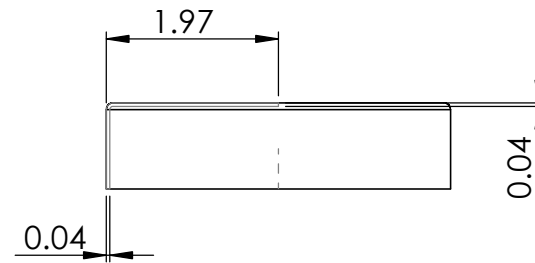
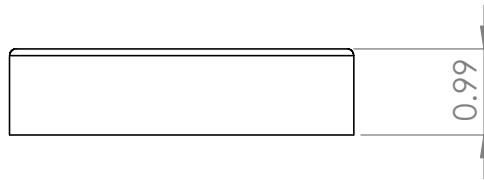
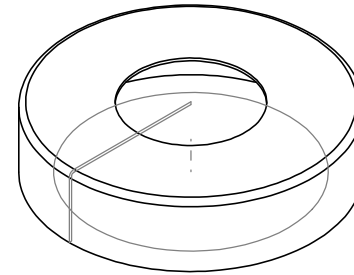
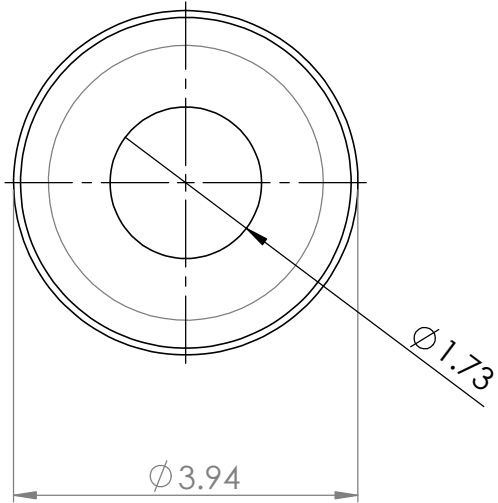
C

B

B

A

A



UNLESS OTHERWISE SPECIFIED: DIMENSIONS ARE IN MILLIMETERS SURFACE FINISH: TOLERANCES: LINEAR: ANGULAR:			FINISH: Satin Brush Finished		DEBURR AND BREAK SHARP EDGES	DO NOT SCALE DRAWING		REVISION 1	
						TITLE: Round Base Cover			
DRAWN	Jad	SIGNATURE	DATE	5/1/17					
CHK'D	Tan		DATE	5/3/17					
APPV'D									
MFG									
Q.A	Steven		DATE	5/10/17	MATERIAL:	Stainless Steel 316	DWG NO.	round-base-cover	A4
					WEIGHT:		SCALE:1:2	SHEET 1 OF 1	

6

5

4

3

2

1