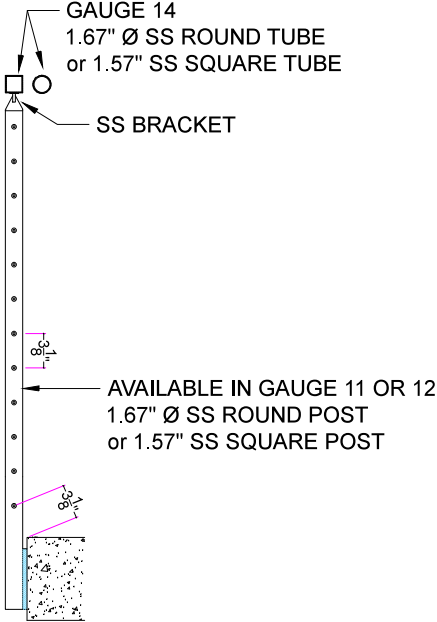
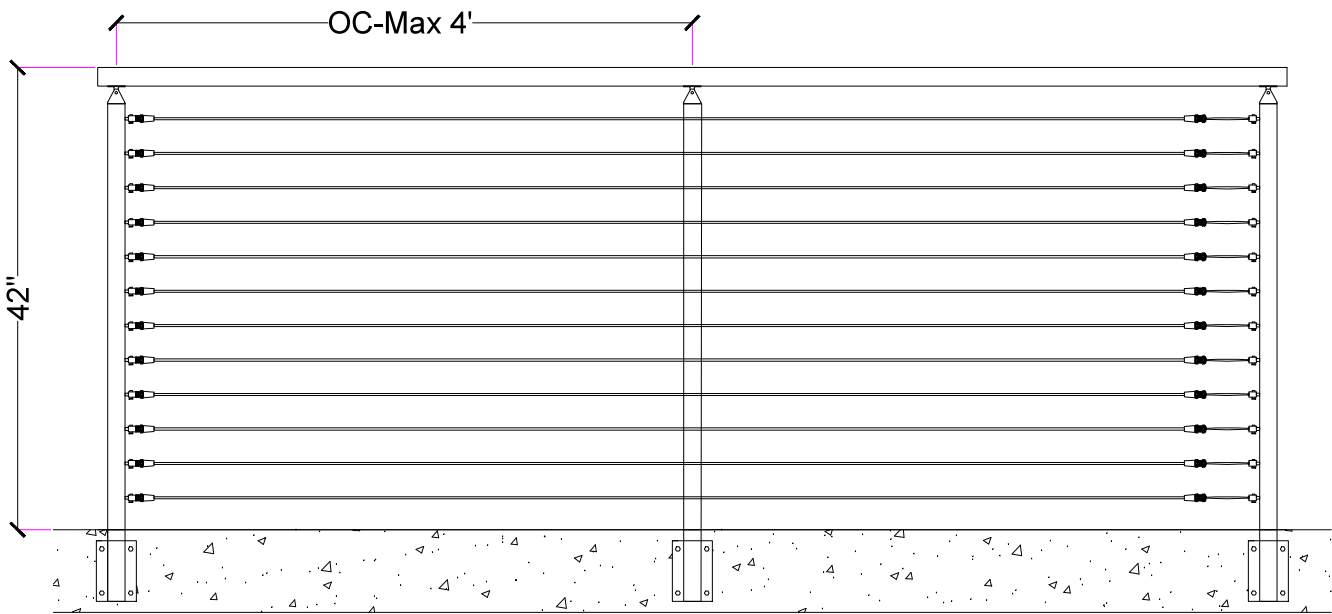


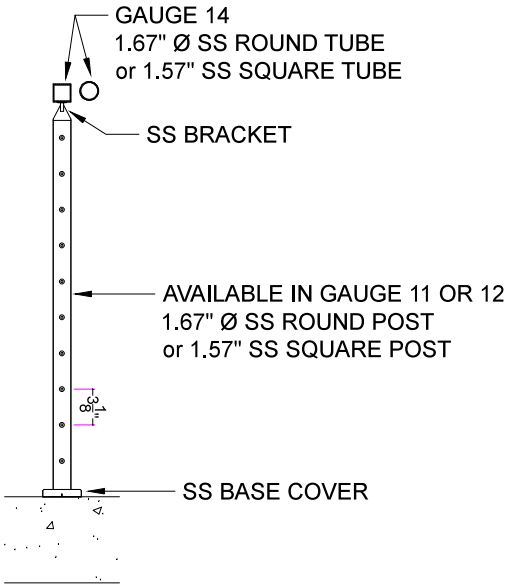
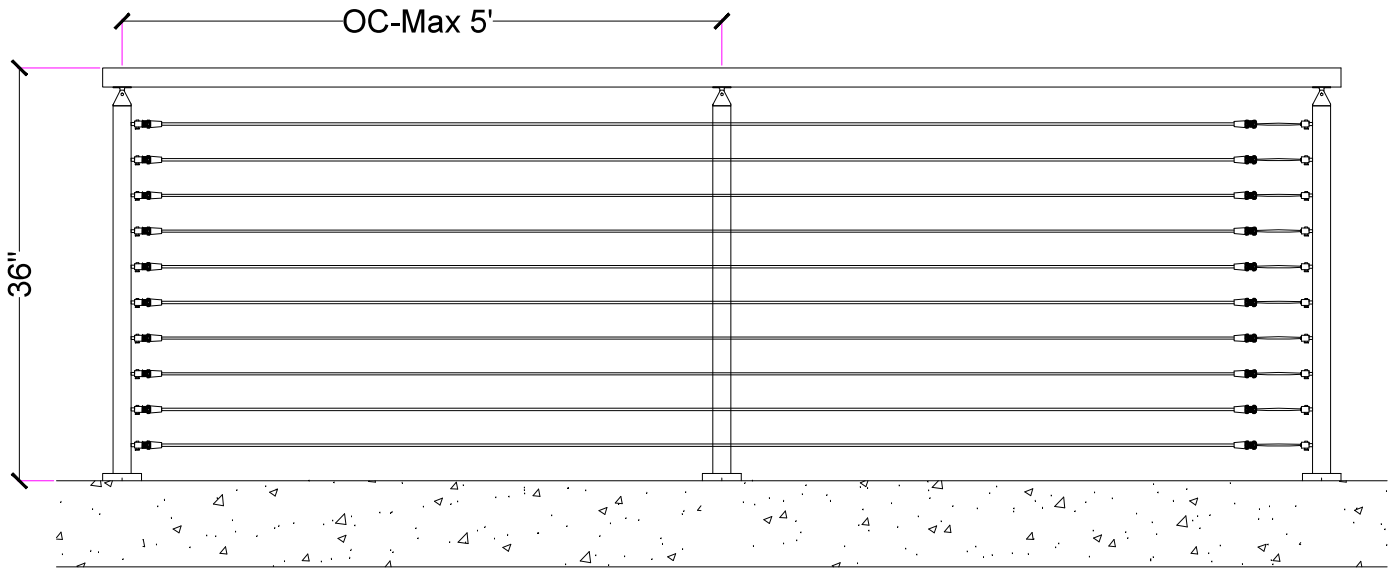
FASCIA MOUNT STRAIGHT RUN

AVAILABLE IN 36" (OC-Max 5') AND 42" HEIGHT (OC-Max 4')



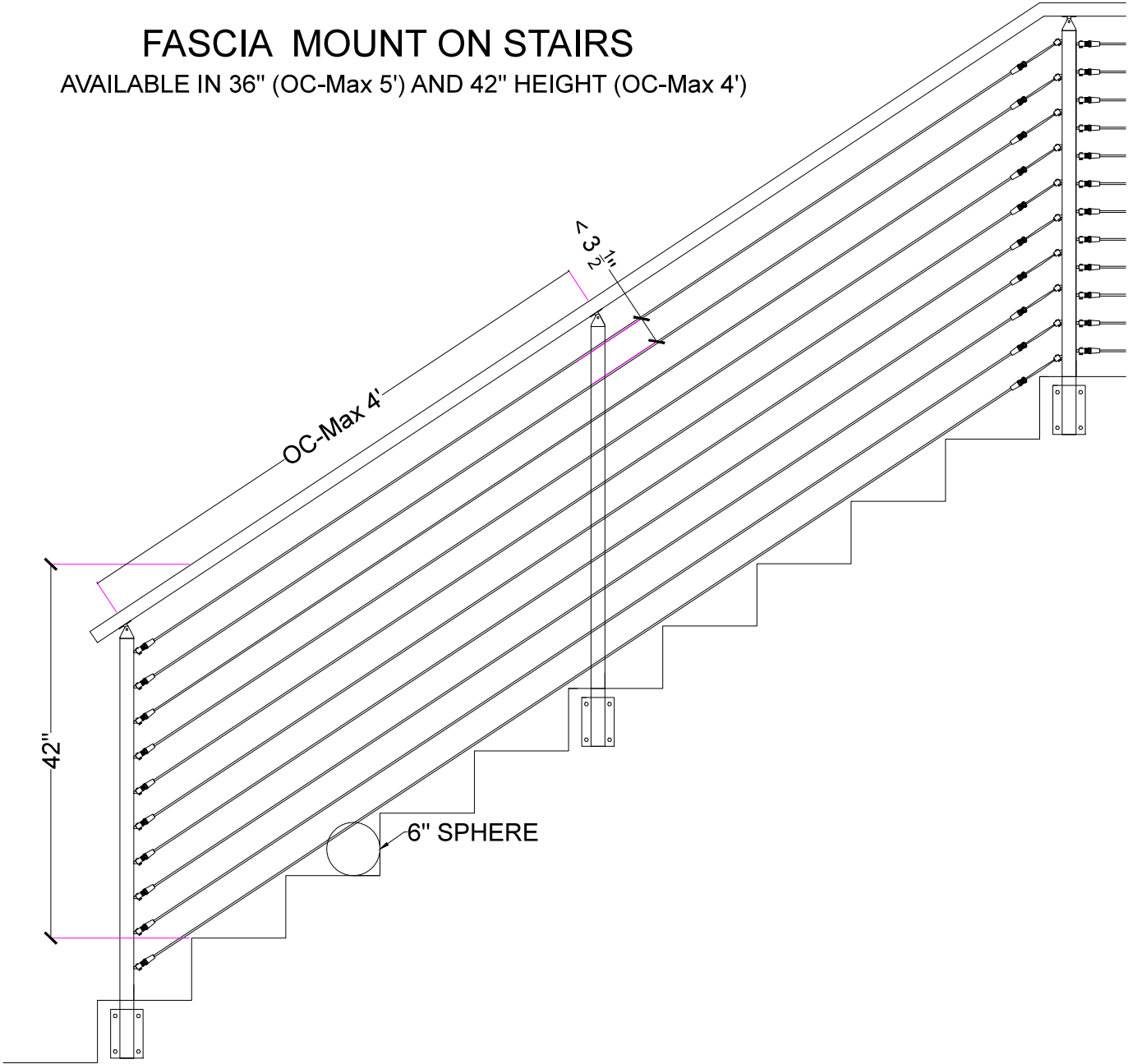
FLOOR MOUNT STRAIGHT RUN

AVAILABLE IN 36" (OC-Max 5') AND 42" HEIGHT (OC-Max 4')



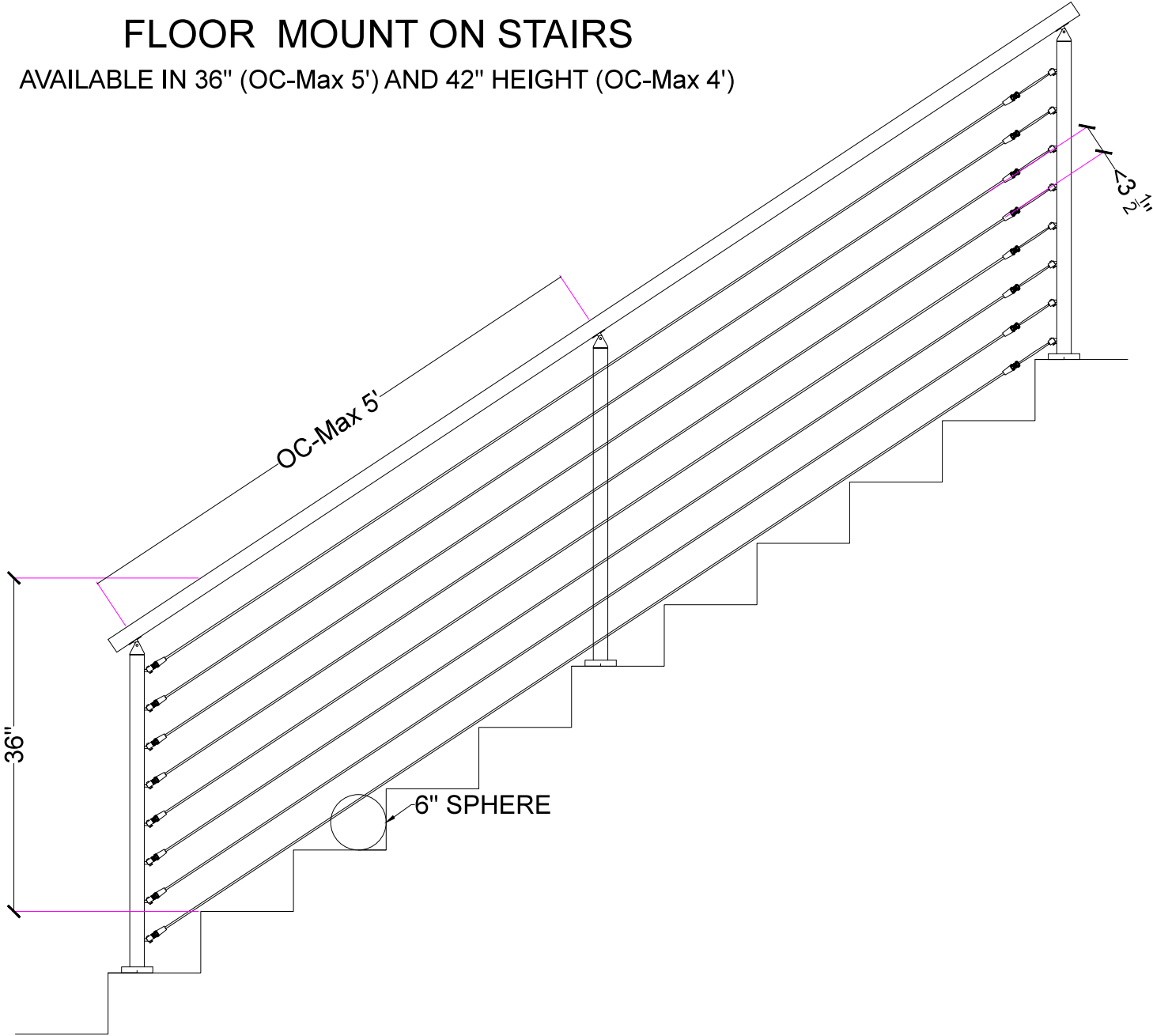
FASCIA MOUNT ON STAIRS

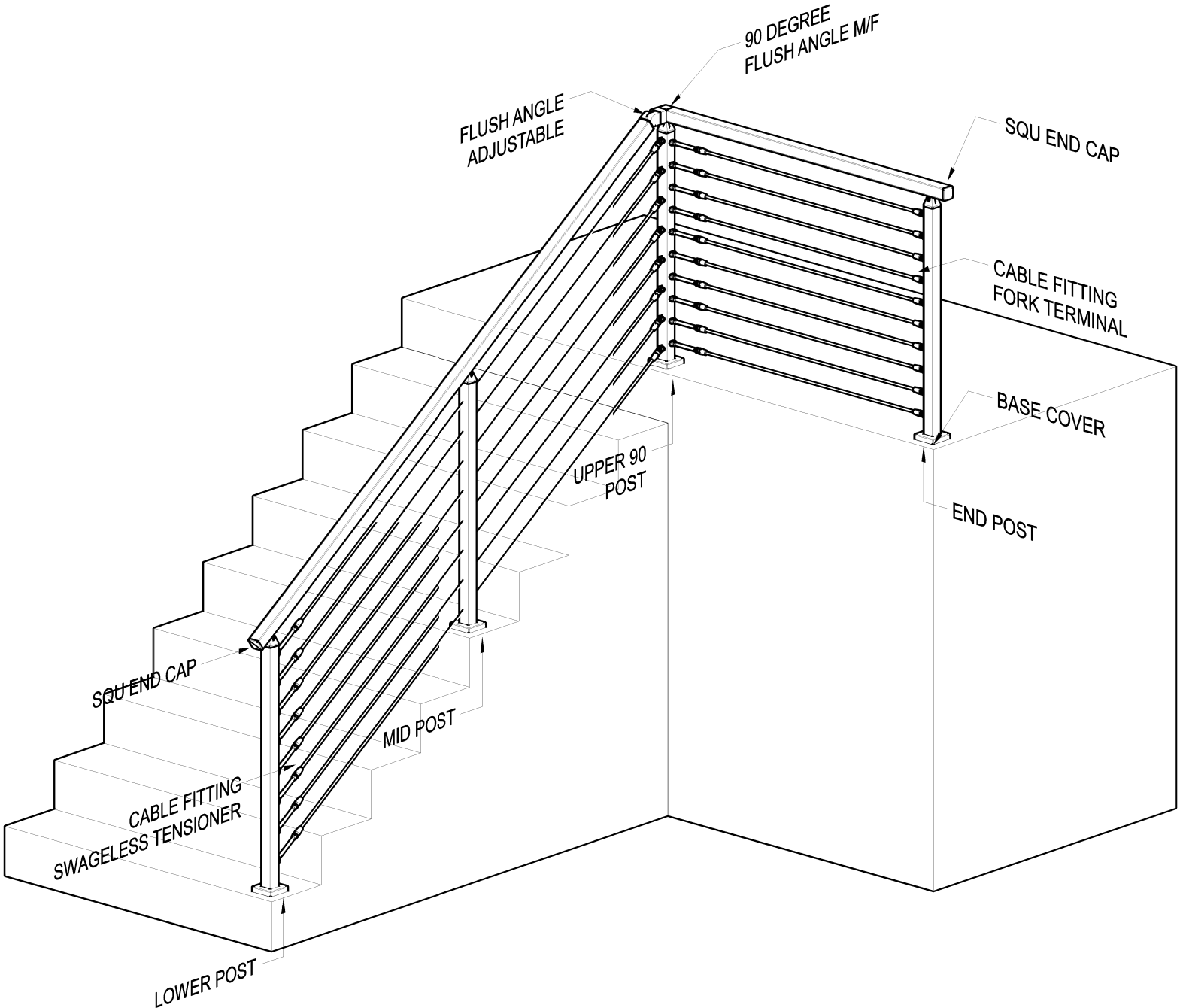
AVAILABLE IN 36" (OC-Max 5') AND 42" HEIGHT (OC-Max 4')



FLOOR MOUNT ON STAIRS

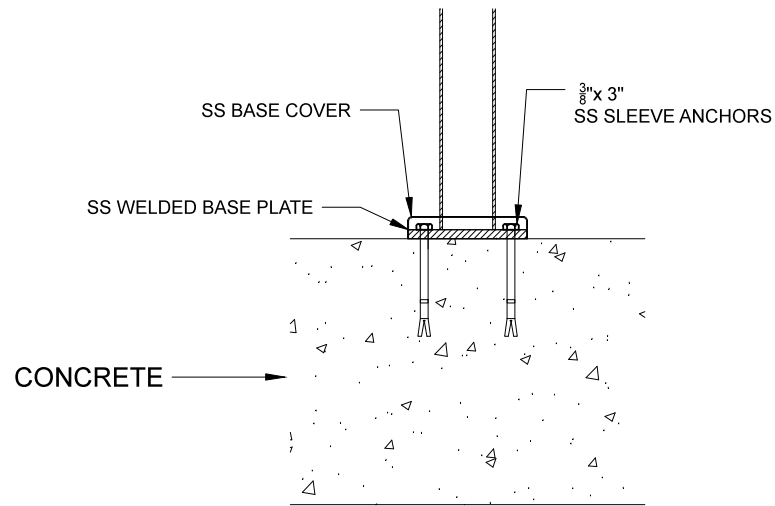
AVAILABLE IN 36" (OC-Max 5') AND 42" HEIGHT (OC-Max 4')



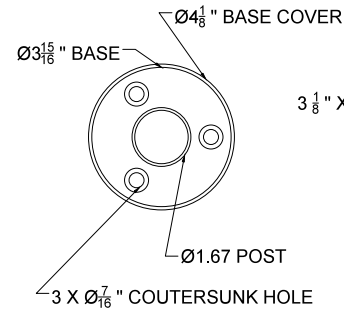


FLOOR MOUNT ANCHORING INTO CONCRETE AND WOOD

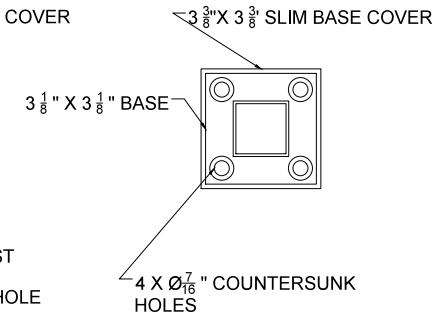
FRONT VIEW



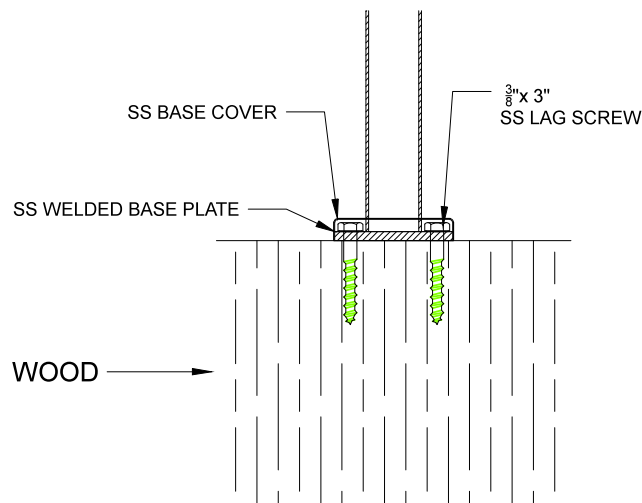
TOP VIEW ROUND



TOP VIEW SQUARE



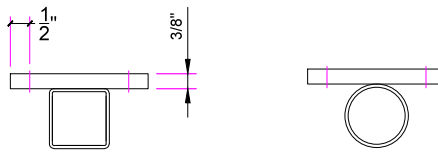
FRONT VIEW



END & MIDDLE FASCIA BRACKET ANCHORING INTO CONCRETE AND WOOD

TOP VIEW SQUARE

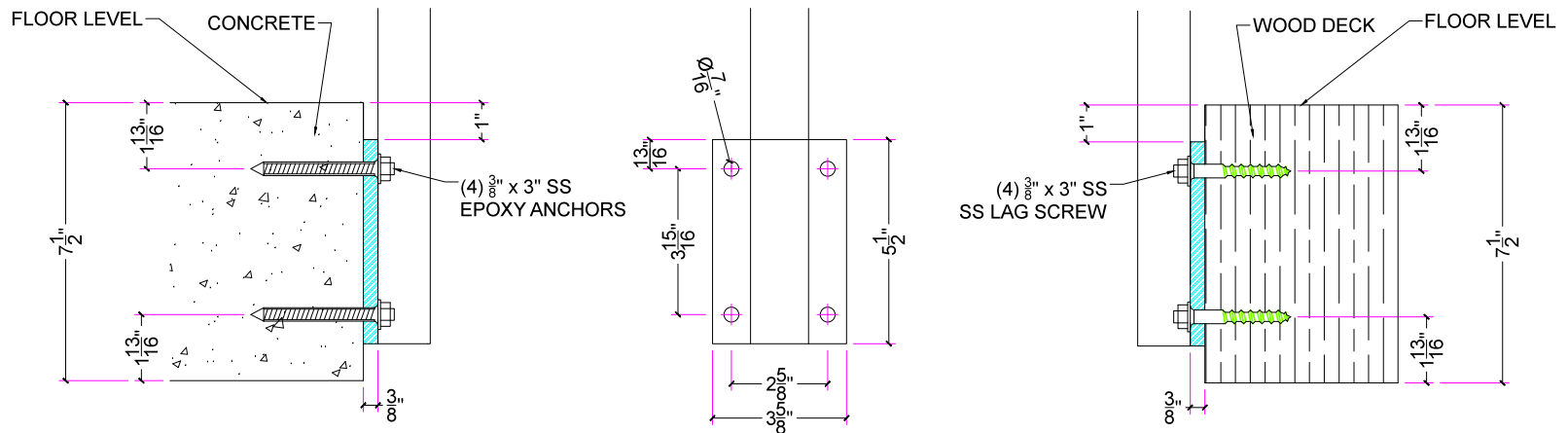
TOP VIEW ROUND



SIDE VIEW

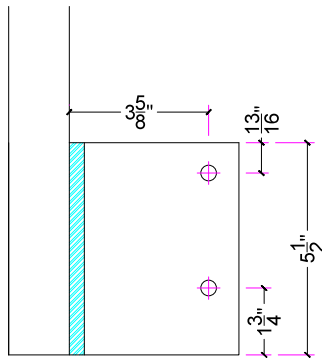
FRONT VIEW

SIDE VIEW

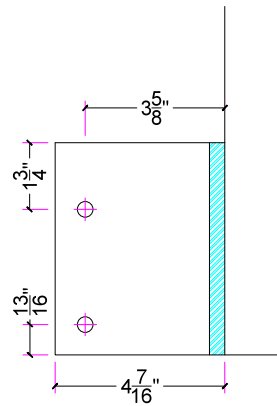


OUTSIDE CORNER FASCIA BRACKET

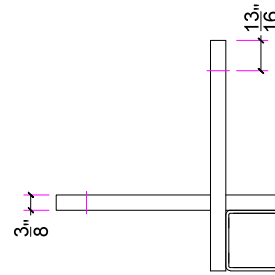
SIDE VIEW LEFT



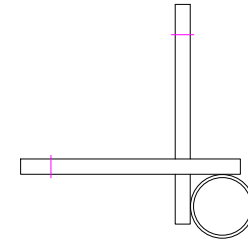
SIDE VIEW RIGHT



TOP VIEW SQUARE

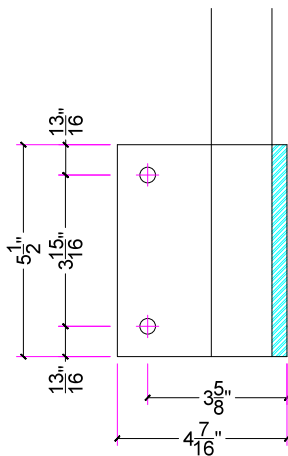


TOP VIEW ROUND

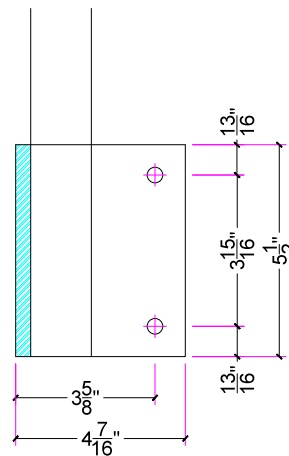


INSIDE CORNER FASCIA BRACKET

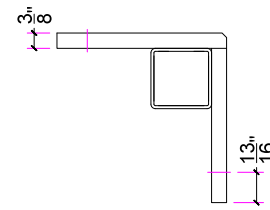
SIDE VIEW LEFT



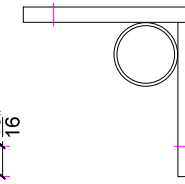
SIDE VIEW RIGHT

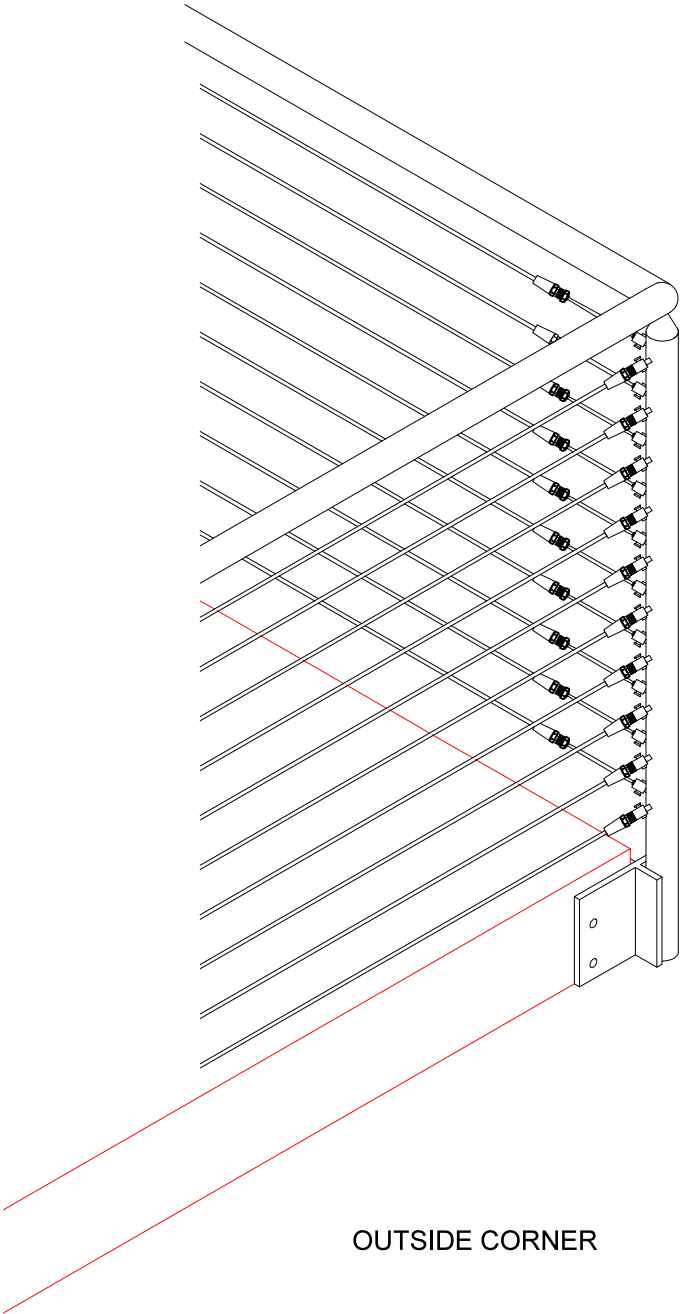


TOP VIEW SQUARE

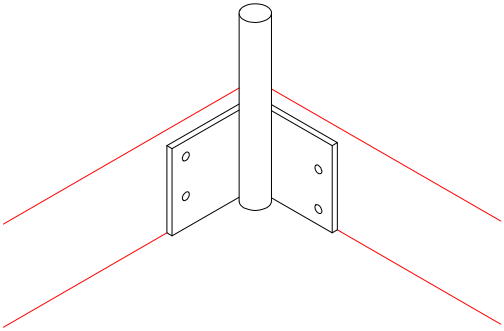


TOP VIEW ROUND



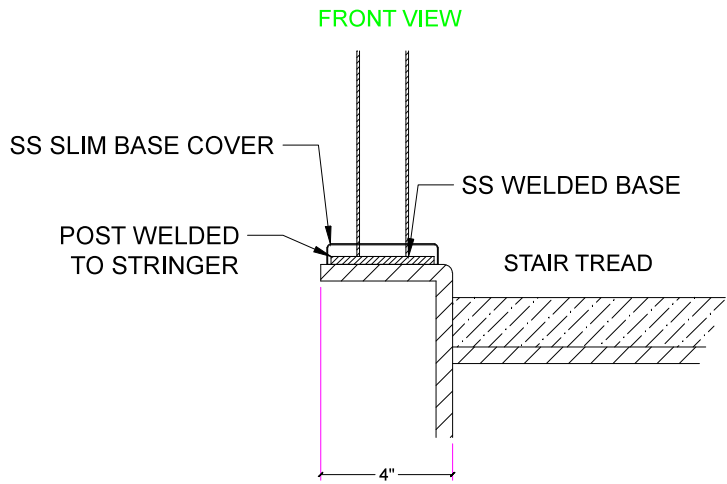


OUTSIDE CORNER

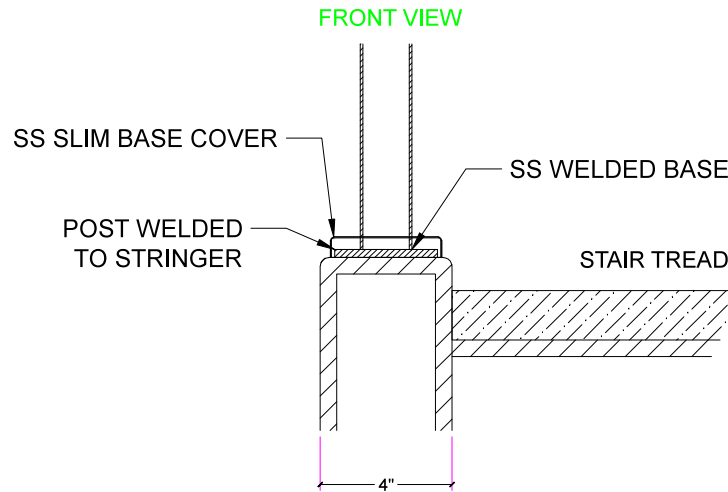


INSIDE CORNER

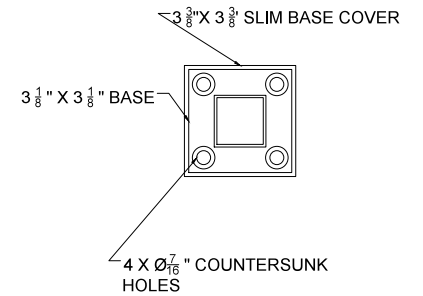
WELDED STAIR MOUNTING (CHANNEL STRINGER)



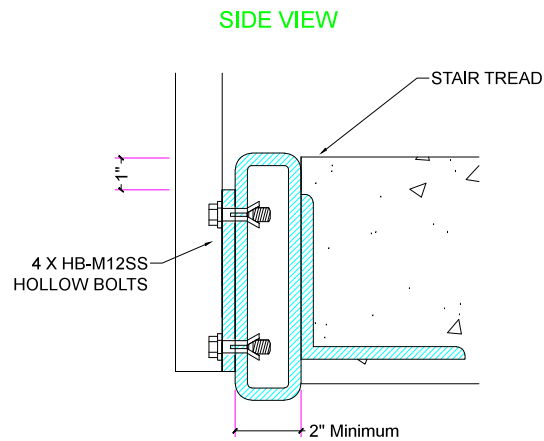
WELDED STAIR MOUNTING (4" STRINGER)



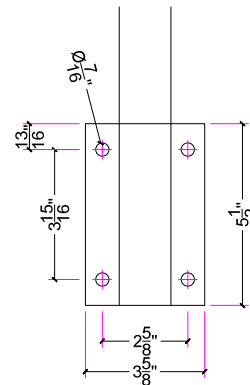
TOP VIEW SQUARE



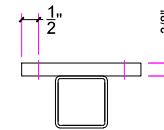
FASCIA WALL MOUNT SPECS INTO TUBE STRINGER



FRONT VIEW



TOP VIEW SQUARE



TOP VIEW ROUND

